

Please read these instructions throughout before installing as incorrect fitting will invalidate the guarantee
These installation instructions must be used in conjunction with the QUARTZ Installation Guide

Got a query? Then please contact the relevant number:

For information on the Walk-In Enclosure/Shower Tray
Kudos Shower Products 01539 564040

For information on the Quartz Shower System
Aqualisa Products Limited 01959 560010

IMPORTANT

- Check that you have the correct packs and shower tray to suit your installation
- Check appearance of shower enclosure and tray. Any defects must be reported to Kudos Shower Products before assembly/installation. Claims for imperfections will only be accepted prior to installation.
- Ensure shower tray is installed level in **all** directions.
- Prior to installation, any gap or crevice between tray and walls **must be** filled with silicone sealant flush with the top of the tray.
- Waterproof walls (using tiles/shower panels etc.), **before** installing the shower enclosure.
- Care should be taken when drilling into walls to avoid hidden pipes and electrical cables.
- The blended water to the handset can be supplied from above or below the enclosure:
OVERHEAD WATER SUPPLY:
Maximum ceiling height allowable (from top of tray) = **2835mm / 9' 4"**
NB- Please ensure that the ceiling entry point for this supply is clear of any structural framework.
UNDER-TRAY WATER SUPPLY:
Overall height of enclosure (including shower tray) = **2036mm / 6' 8"**

HEALTH & SAFETY WARNING

**DUE TO THE WEIGHT OF THE GLASS PANEL(S)
A MINIMUM OF TWO PEOPLE IS REQUIRED
TO MOVE AND INSTALL THIS ENCLOSURE**

KEY STAGES TO INSTALLATION

- 1st** Choose your Quartz Processor site and install.
- 2nd** Run data cable to recommended position for shower control.
- 3rd** Connect 2 metre flexible hose to Quartz Processor.
NB- This connection must be carried out at this stage if it is not possible to make the connection after the shower tray has been installed, i.e, when installing the tray directly onto a solid floor.
- 4th** Install shower tray.
- 5th** Apply finish to walls e.g. tiling.
- 6th** Install shower enclosure.
- 7th** Connect to flexible hose and fit Water Delivery Column.

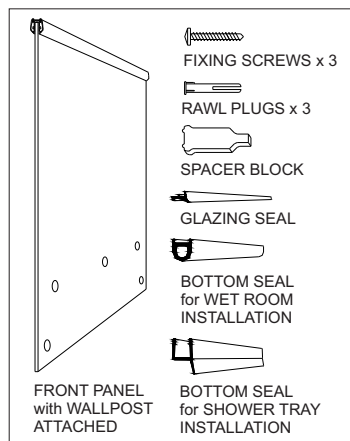
CLEANING

Use only warm soapy water and damp cloth/sponge on a regular basis. **Do not use** abrasive scouring powders, chemicals or aerosol products - these may result in damage to the surfaces.

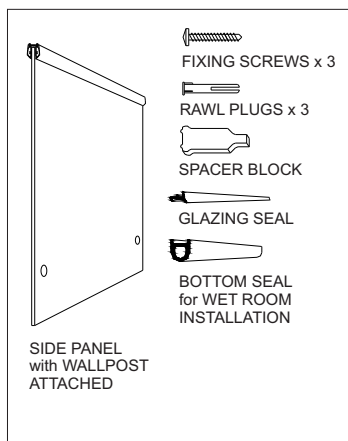
THESE INSTRUCTIONS ARE TO BE LEFT WITH THE CONSUMER

PACK CONTENTS

Please ensure that you have all the necessary components before starting your installation.



PACK 5WA (for 1500 tray)
PACK 5WC (for 1700 tray)
FRONT GLASS PANEL



PACK 5WG
(for 1500 & 1700 tray)
SIDE GLASS PANEL



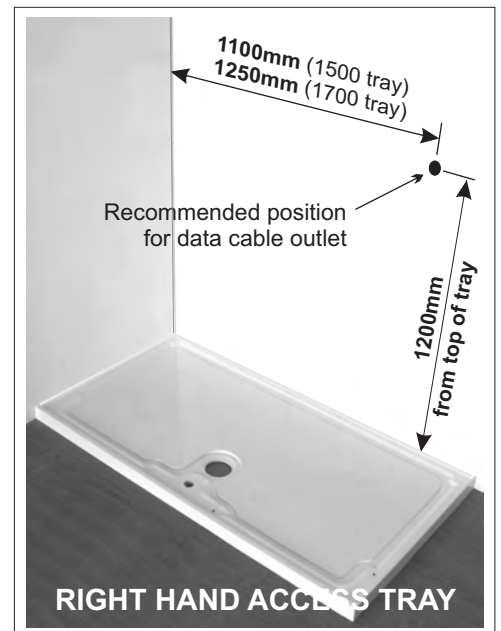
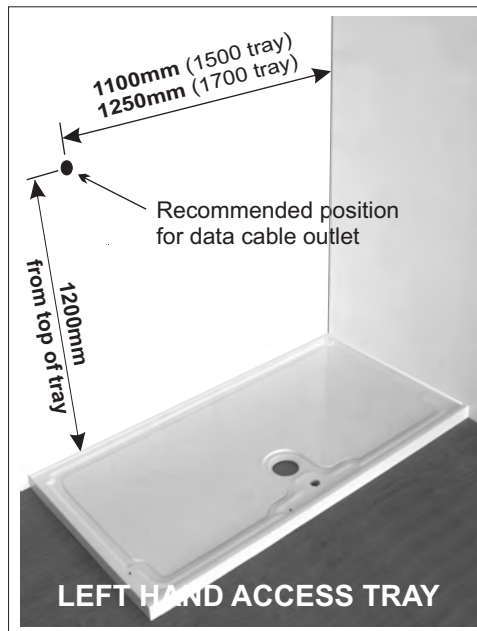
PACK 5WK
1000 / 1200
FRONT PANEL COMPONENT KIT



PACK 5WP
800 / 900 / 1000
SIDE PANEL COMPONENT KIT

11 SHOWER CONTROL POSITION
Run data cable to recommended position as shown

Overall height of shower tray = 55mm



12 FLEXIBLE HOSE CONNECTION

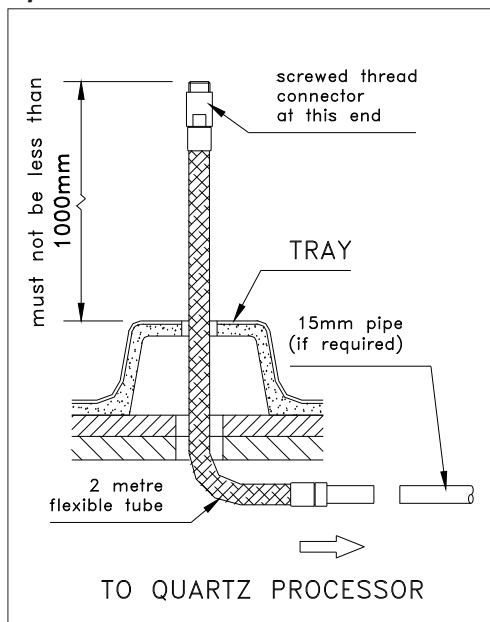
THIS CONNECTION MUST BE CARRIED OUT AT THIS STAGE IF IT IS NOT POSSIBLE TO MAKE THE CONNECTION AFTER THE SHOWER TRAY HAS BEEN INSTALLED

Connect 2 metre long flexible hose to mixed water outlet on Quartz Processor unit, either:

A - Directly, if unit is within reach

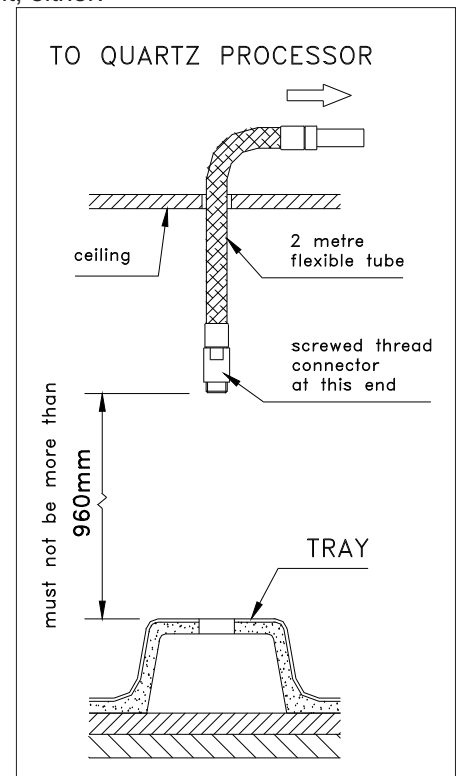
B - Via 15mm copper pipe, if unit is not within reach

IMPORTANT: please take note of dimensions for exposed hose, if not adhered to, connection with the Water Outlet Body, at a later stage, will not be possible.



UNDER-TRAY WATER SUPPLY

IMPORTANT
Ensure flexible hose is not kinked during installation process



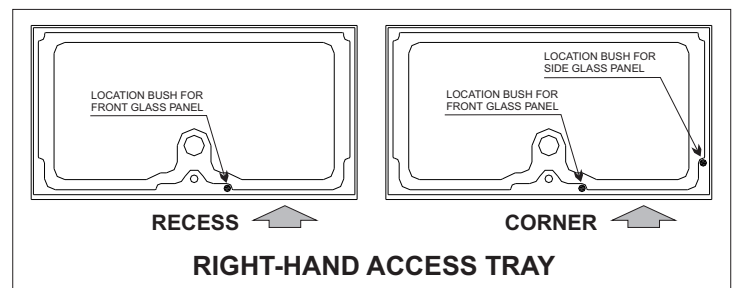
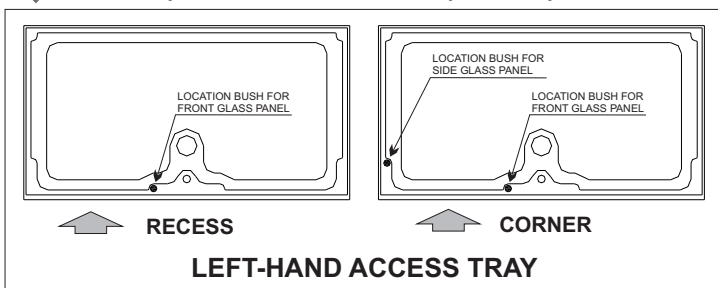
OVERHEAD WATER SUPPLY

13 SHOWER TRAY INSTALLATION

For general information, please read 'Fixing Instructions for Shower Base' (supplied with the tray), in conjunction with these instructions.

14 CHECK TRAY

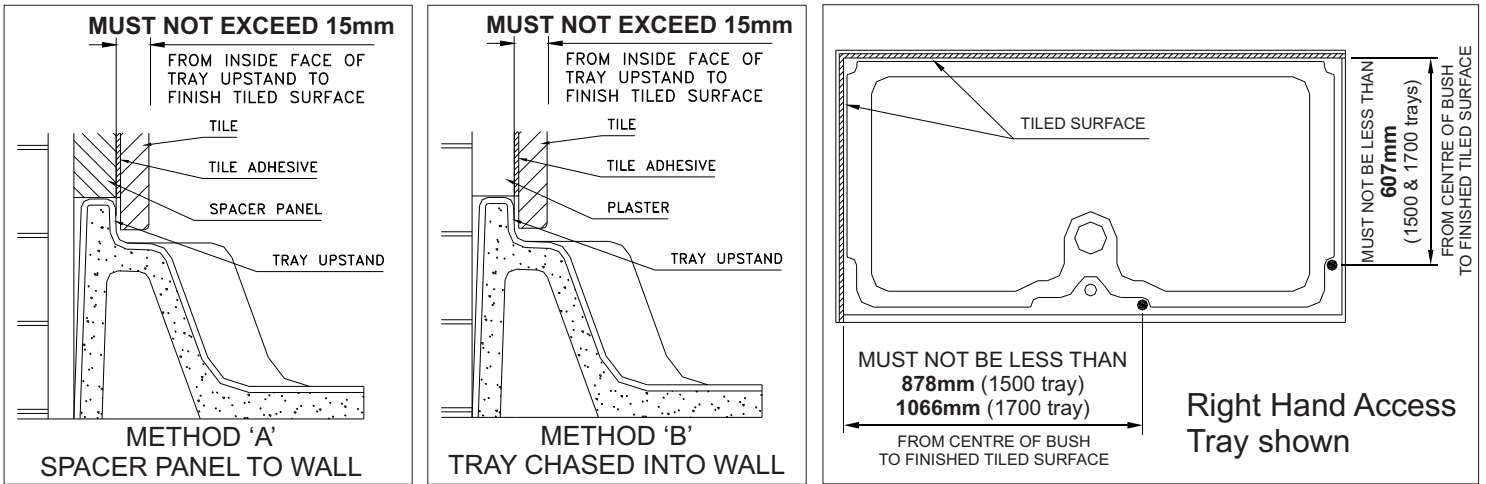
Ensure you have the correct tray to suit your installation



15 TILING ALLOWANCE

To overcome the width of the integral upstand of the shower tray, either method can be used

IMPORTANT: IF THE DIMENSIONS SHOWN ARE EXCEEDED THEN THE GLASS PANEL(S) WILL NOT FIT



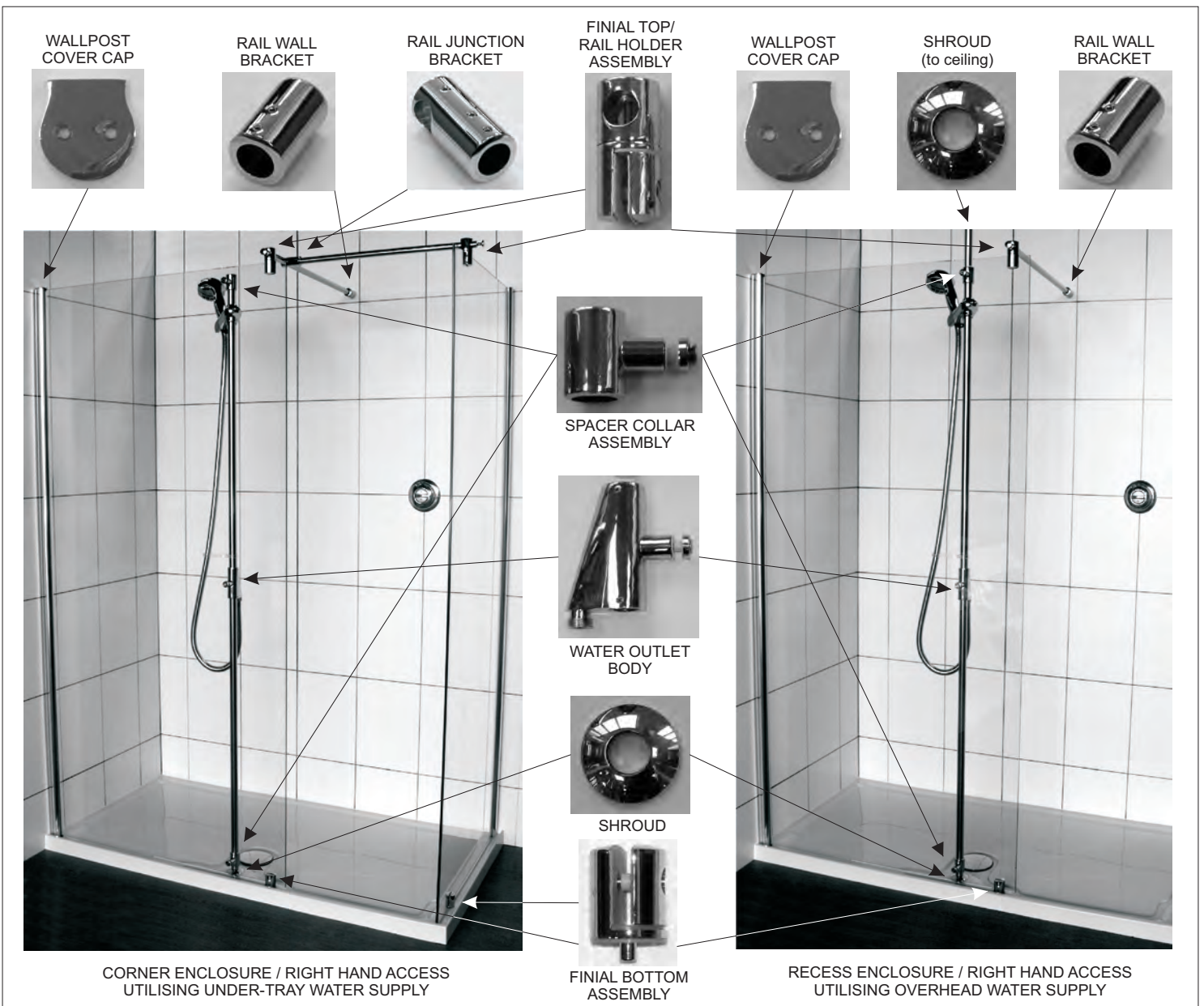
16 APPLY FINISH TO WALLS

Fit tiles/shower panels to the walls and apply silicone sealant where tiles/panels meet tray at bottom

17 INSTALL WALK-IN SHOWER ENCLOSURE

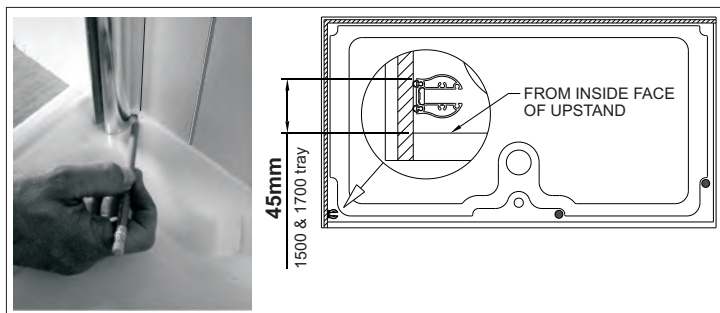
The shower enclosure can be fitted to suit both right-hand access (illustrated) and left-hand access installations

Note: If you are installing the recess version (front panel glass only), then please ignore any reference to the side glass panel instructions

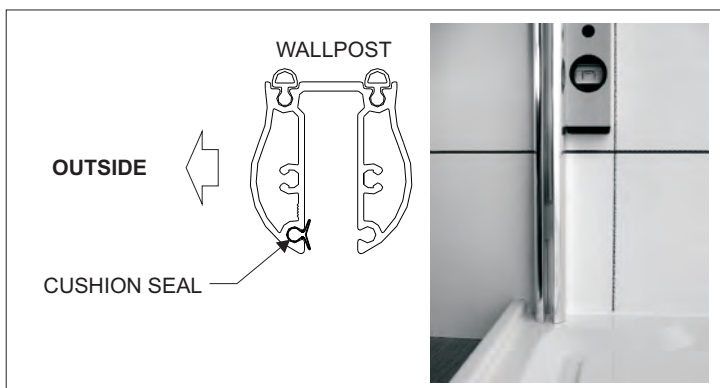


- 18 FRONT GLASS PANEL**
Remove aluminium wallpost from front glass panel and set aside glazing seal for later use

- 19 POSITION WALLPOST ONTO TRAY**
Mark position of wallpost onto tray and wall



- 20 MARK WALLPOST TO WALL**
Ensure the fitted cushion seal is to outside of enclosure and using spirit level to ensure wallpost is vertical, mark through the three (5mm) pre-drilled holes onto wall. Drill (7mm) and plug walls or use fixings suitable for the construction of the walls.

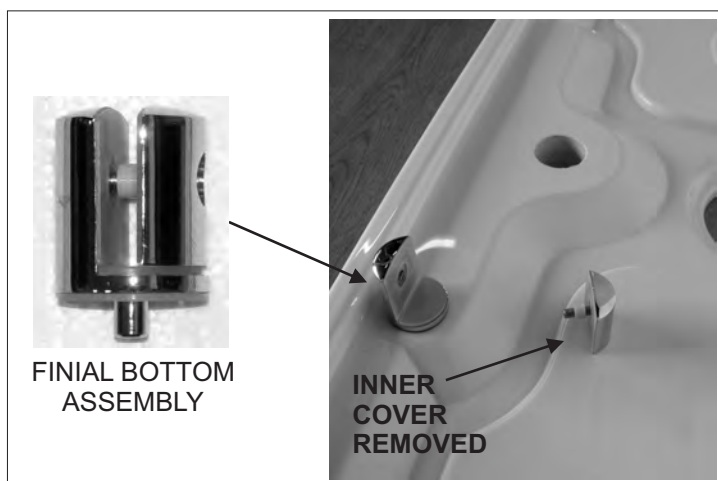


- 21 FIT SPACER BLOCK**
Insert spacer block (from installation pack) into bottom of wallpost. Secure wallpost to wall with three No.8's x 30mm long screws provided, ensuring these are fully screwed home.

TIP Fold a thin strip of paper/cardboard into a 'V' shape and use as guide to locate screws into pre-drilled holes.

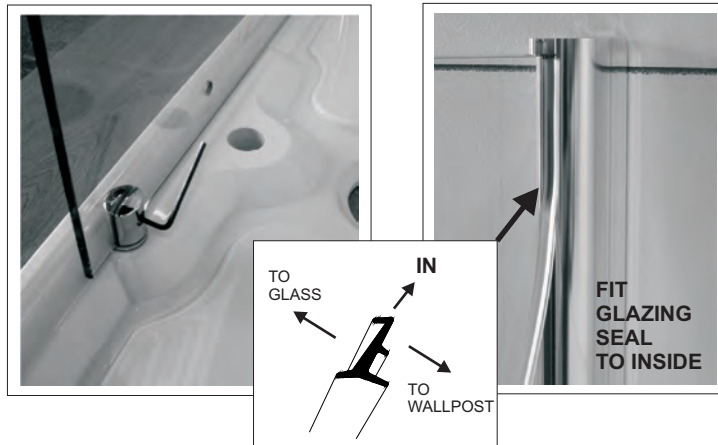


- 22 FIT FRONT GLASS PANEL**
Insert finial bottom assembly (with inner cover removed) into location bush. With assistance, **carefully** insert glass panel into wallpost and onto finial body.

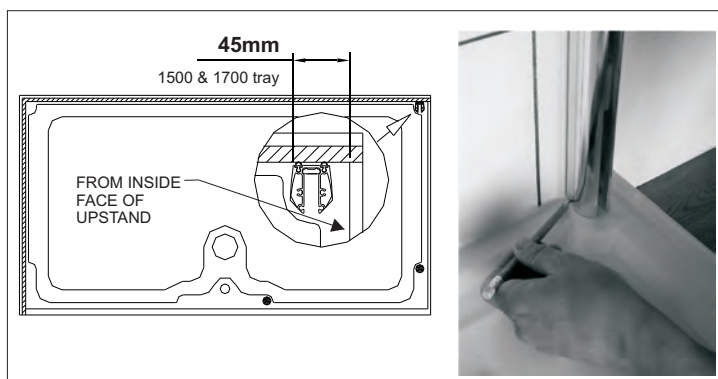


- 23 SECURE FRONT GLASS PANEL**
Screw inner cover to finial bottom using 4mm Allen key provided, ensuring the protective plastic hole washer is fitted over the screw. Insert glazing seal to inside between glass panel and wallpost.

TIP If tight, lubricate glazing seal with water. Do not stretch seal when inserting, because, after cutting to length, the seal will shrink and leave a gap.

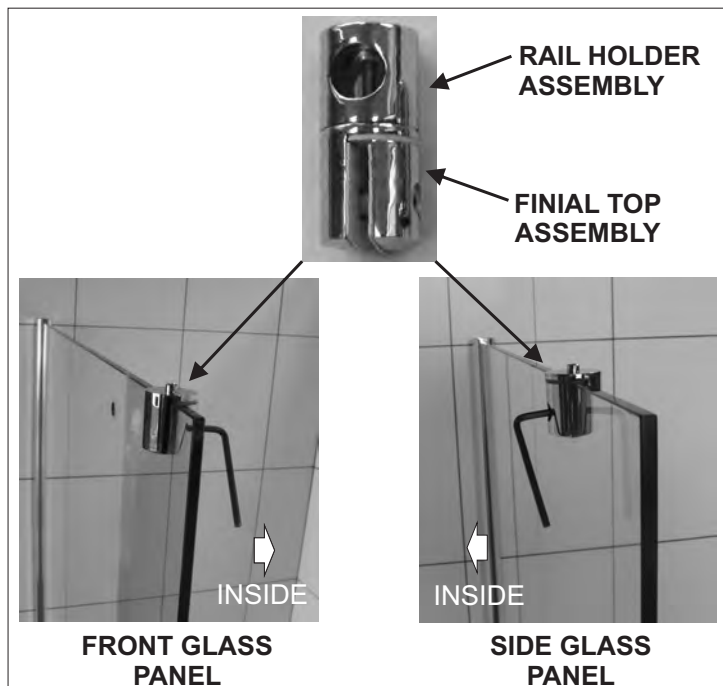


- 24 SIDE GLASS PANEL**
Repeat above stages to fit side glass panel, if purchased, ensuring that cushion seal in wallpost is to outside.



- 25 FIT FINIAL TOP(s)**
Fit finial top assembly through hole at top edge of glass panel using 4mm Allen key supplied, ensuring screws are to inside of enclosure.

TIP Protect shower tray by covering with suitable material before fitting top rail assembly.



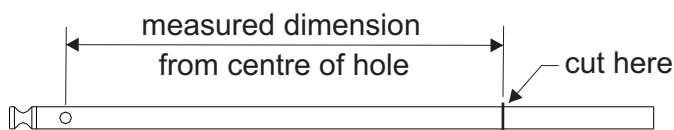
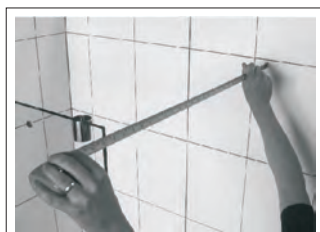
CUT TOP RAIL TO LENGTH

Note: the top rail(s) are manufactured to suit Wet Room Installations also.

It will be necessary to trim rail(s) to suit this installation.

Ensuring panel is vertical, measure distance from **inside face** of front panel glass to back wall.

Transfer this measurement to top rail and cut using hacksaw.



TIP Use cloth sleeve provided to help protect rail when cutting to length

- 26 ASSEMBLE TOP RAIL**
Fit rail holder assembly and rail wall bracket to top rail and locate over finial top. Ensuring rail is horizontal and square to wall, mark position of rail wall bracket onto back wall.



- 27 FIX RAIL WALL BRACKET**
Re-position wall bracket to wall and mark through fixing hole. Drill (8mm), plug and fix using No.12's x 30mm long screw provided. Refit top rail assembly (with Rail Junction Bracket if applicable) and **tighten all screws** using 2.5mm & 3mm Allen keys supplied, ensuring that the shaped brass bush is fitted inside the top rail holder(s).

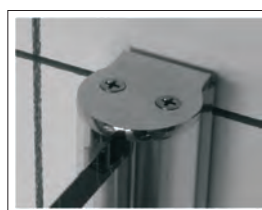


SIDE PANEL TOP RAIL

Ensure Rail Junction Bracket is fitted to 'Front Panel' top rail (with grub screws at top).

Cut 'Side Panel' top rail to length ensuring it is **fully engaged** into Rail Junction Bracket.

- 28 FIT COVER CAPS**
Fit cover cap to top of wallpost using No.6's x 10mm long screws provided.



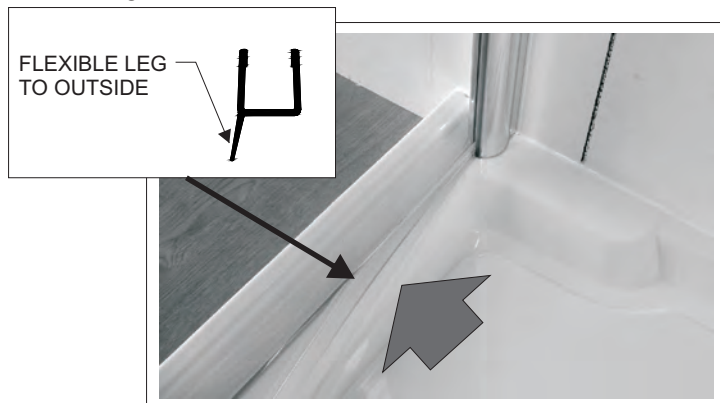
FRONT GLASS PANEL



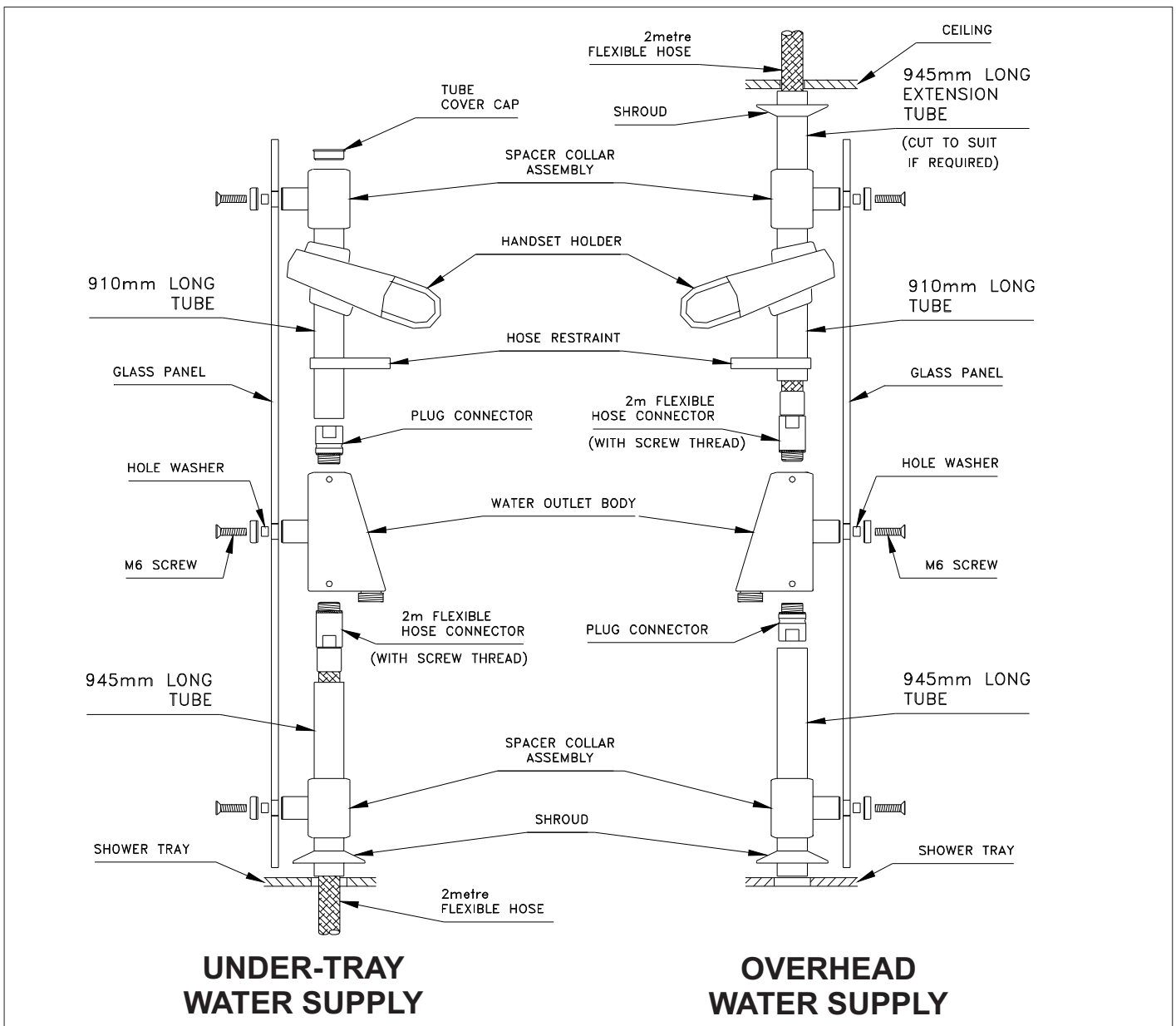
SIDE GLASS PANEL

- 29 FIT BOTTOM SEAL (OPTIONAL)**
Trim to length and fit seal to bottom of front panel glass, in between wallpost and bottom finial assembly - the soft flexible leg to face the outside.

TIP With clean water, lubricate both sides of glass to ease fitting. Flat side of screwdriver can be used also, to aid fitting.



Note: this seal is not required when using the enclosure under normal showering conditions, i.e., when the water is angled away from the panel. However, if it is not fitted, please leave with the consumer.



UNDER-TRAY WATER SUPPLY

- Fit plug connector to TOP of Water Outlet Body, ensuring the rubber washer is fitted.
 - Feed flexible hose through 945mm long bottom tube and connect to BOTTOM of Water Outlet Body, ensuring rubber washer is fitted.
 - Assemble all component parts to 910mm long top tube.
 - Fit tubes into Water Outlet Body ensuring these are fully home and secure using the 4 grub screws.
 - Secure fully assembled column to glass panel using screws through holes in glass, ensuring all protective washers are fitted.
 - Remove protective film from underside of shroud and press firmly down onto tray to achieve watertight seal.
- Note: the remaining 945mm long extension tube is not required for this water supply.**

OVERHEAD WATER SUPPLY

- Make 25mm hole in ceiling directly above column.
 - Fit plug connector to BOTTOM of Water Outlet Body, ensuring the rubber washer is fitted.
 - Feed flexible hose through extension tube (cut tube to length if necessary), top spacer collar assembly and 910mm long tube and connect hose to TOP of Water Outlet Body, ensuring rubber washer is fitted.
 - Fit tubes into Water Outlet Body ensuring these are fully home and secure using the 4 grub screws.
 - Secure fully assembled column to glass panel using screws through holes in glass, ensuring all protective washers are fitted.
 - Remove protective film from underside of shroud and press firmly down onto tray to achieve watertight seal.
 - Repeat to fit shroud to ceiling.
- Note: the tube cover cap is not required for this water supply.**