

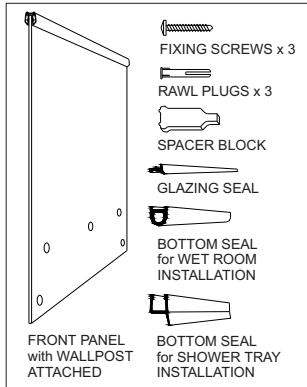
*Please read these instructions throughout before installing as incorrect fitting will invalidate the guarantee
These instructions must be read in conjunction with the main installation instructions*

HEALTH & SAFETY WARNING

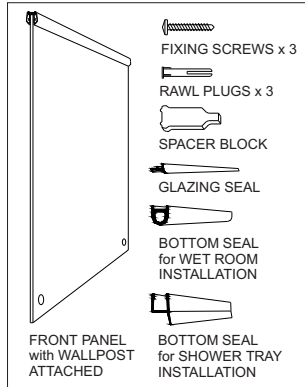
DUE TO THE WEIGHT OF THE GLASS PANEL(S) A MINIMUM OF TWO PEOPLE IS REQUIRED TO MOVE AND INSTALL THIS ENCLOSURE

PANEL PACK & COMPONENT PACKS

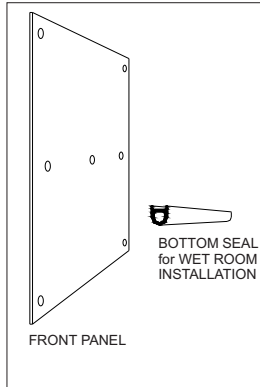
Please check to ensure that you have the correct packs for your installation before commencing work.



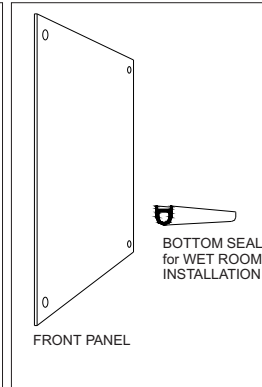
PACK 5WA (1000 panel)
PACK 5WC (1200 panel)
FRONT PANEL SIDE ENTRY
(WITH TOWER)



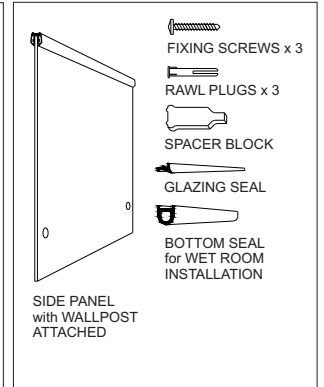
PACK 5WB (1000 panel)
PACK 5WD (1200 panel)
FRONT PANEL SIDE ENTRY
(WITHOUT TOWER)



PACK 5WE (1200 panel)
FRONT PANEL
DOUBLE ENTRY
(WITH TOWER)



PACK 5WF (1200 panel)
FRONT PANEL
DOUBLE ENTRY
(WITHOUT TOWER)



PACK 5WG (800 panel)
PACK 5WH (900 panel)
PACK 5WJ (1000 panel)
SIDE GLASS PANEL



PACK 5WK
1000 / 1200
FRONT PANEL
COMPONENT KIT
WITH
SHOWER TOWER



PACK 5WL
1000 / 1200
FRONT PANEL
COMPONENT KIT
WITHOUT
SHOWER TOWER



PACK 5WM
1200 DOUBLE ENTRY
FRONT PANEL
COMPONENT KIT
WITH
SHOWER TOWER



PACK 5WN
1200 DOUBLE ENTRY
FRONT PANEL
COMPONENT KIT
WITHOUT
SHOWER TOWER

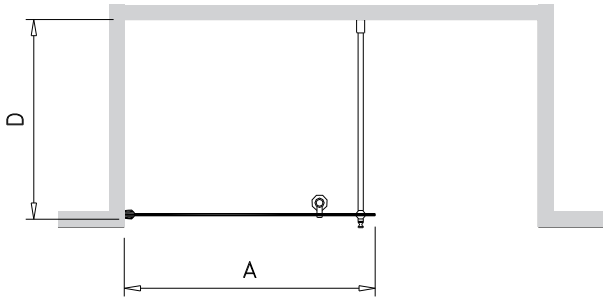


PACK 5WP
800 / 900 / 1000
SIDE PANEL
COMPONENT KIT

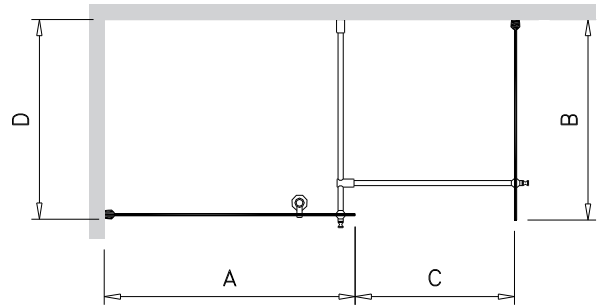
CONFIGURATIONS AND SIZES

PRODUCT	PACK CODE	SHOWER TOWER	SHOWER TOWER				
			A	B	C	D	
						maximum	minimum
1000 FRONT PANEL - SIDE ENTRY	5WA	WITH	932 - 952	-	-	-	1000
1000 FRONT PANEL - SIDE ENTRY	5WB	WITHOUT	932 - 952	-	-	-	1000
1200 FRONT PANEL - SIDE ENTRY	5WC	WITH	1117 - 1137	-	-	-	1000
1200 FRONT PANEL - SIDE ENTRY	5WD	WITHOUT	1117 - 1137	-	-	-	1000
1200 FRONT PANEL - DOUBLE ENTRY	5WE	WITH	1110	-	-	-	977
1200 FRONT PANEL - DOUBLE ENTRY	5WF	WITHOUT	1110	-	-	-	977
800 SIDE PANEL	5WG	-	-	744 - 764	932	680	1000
900 SIDE PANEL	5WH	-	-	884 - 904	932	780	1000
1000 SIDE PANEL	5WJ	-	-	984 - 1004	932	880	1000

Please note: If space is limited, it is possible to install the 800 & 900 Side Panel packs as a front panel, if required

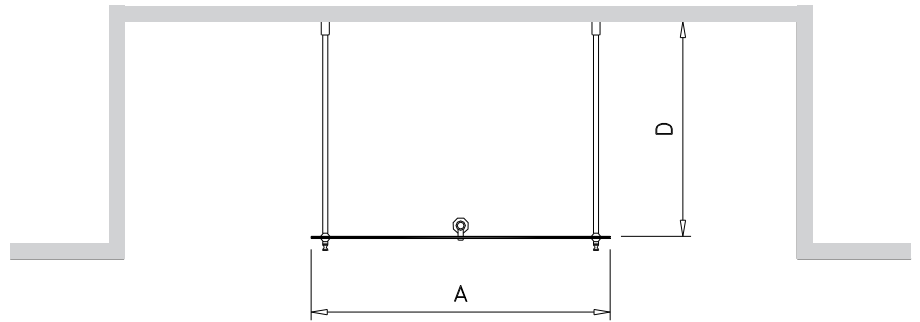


FRONT PANEL - SIDE ENTRY ONLY

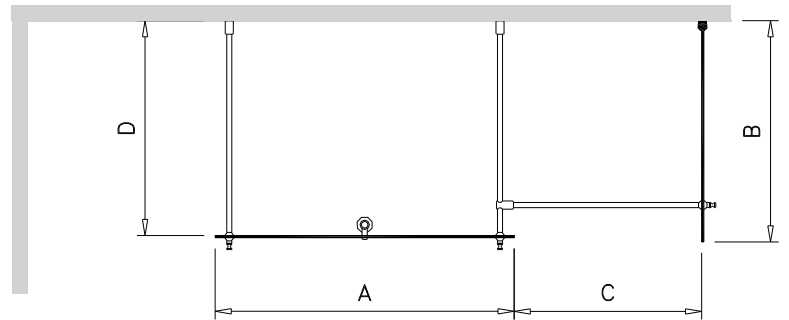


FRONT PANEL - SIDE ENTRY with SIDE PANEL

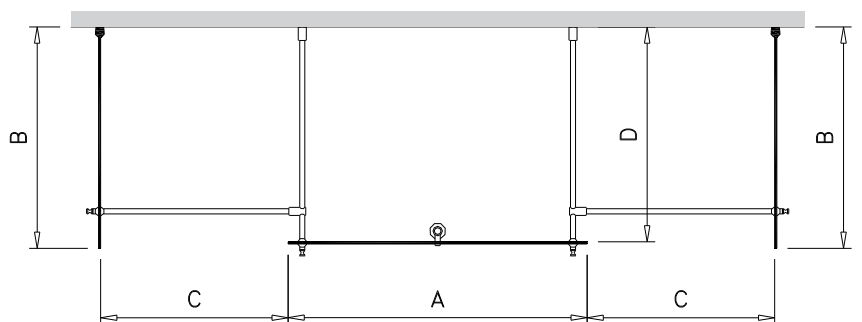
All panels are unhandled and can be installed to give left-hand and right-hand access. For clarity purposes, only right hand access configurations are shown, where applicable.



FRONT PANEL - DOUBLE ENTRY ONLY



FRONT PANEL - DOUBLE ENTRY with SIDE PANEL



FRONT PANEL - DOUBLE ENTRY with 2 x SIDE PANELS

IMPORTANT

Please take note of dimensions shown on this page, if not adhered to, installation of top rail(s) will not be possible.

OVERHEAD WATER SUPPLY:

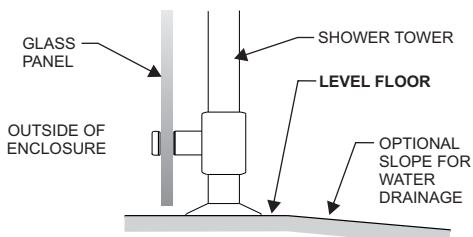
Maximum ceiling height allowable (from finished floor level) = 2850mm / 9' 4"

UNDER-FLOOR WATER SUPPLY:

Overall height of enclosure (including top rail) = 1996mm / 6' 7"

LEVEL FLOOR

The enclosure and Shower Tower (if fitted) must be installed onto a level floor surface.

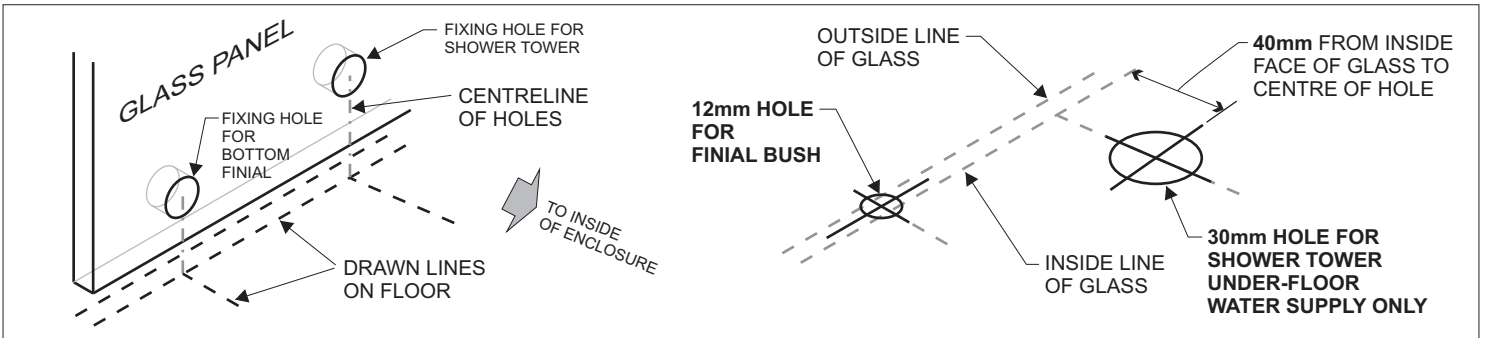


1 FIX WALLPOST TO WALL
Place wallpost to wall in desired position and follow stages 20 & 21 of main installation instructions.

2 FIT GLASS PANEL
With assistance, carefully insert glass panel into wallpost channel ensuring panel is fully inserted. Temporarily insert glazing seal to top and bottom only, to secure glass in correct position.

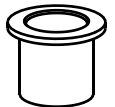
TIP Make a piece of packing (from timber / cardboard) to the same thickness as the spacer block and use this underneath the panel. This will protect the bottom edge of the glass and also ensure panel is level to floor.

3 MARK POSITION FOR HOLES IN FLOOR
Ensuring the glass panel is square to the wall.
Mark position of glass to floor and position of hole centre(s) in glass to floor, then carefully remove glass panel. Draw intersecting lines to determine centre of hole in floor for finial bush and use dimensions shown to determine centre of hole for Under-Floor Water Supply (if applicable).



4 DRILL HOLE(S) IN FLOOR
FINIAL BUSH - using 12mm drill, make hole in floor just deep enough so that, when fitted, the underside of collar on bush sits down onto floor surface.
UNDER-FLOOR WATER SUPPLY (if applicable) - using 30mm drill, make hole through floor for flexible tube.

5 FIT FINIAL BUSH
Apply clear silicone sealant to top edge of 12mm hole and insert brass bush (from installation pack). Wipe away excess silicone sealant.

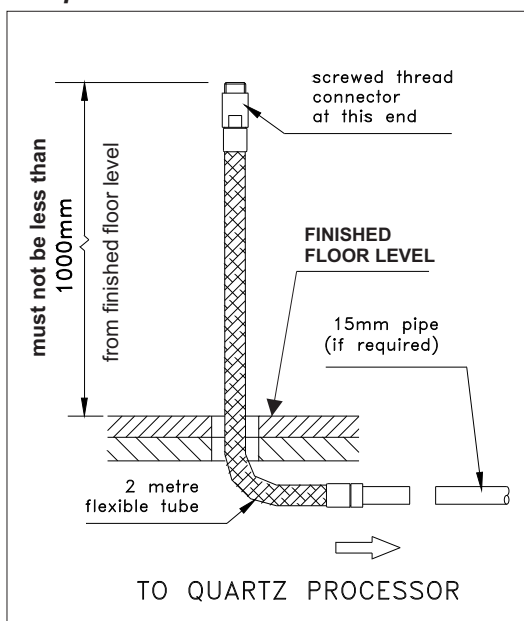


6 FLEXIBLE HOSE CONNECTION
FOR UNDER-FLOOR WATER SUPPLY THIS CONNECTION MUST BE CARRIED OUT WHILST ACCESS UNDER FLOORING IS STILL AVAILABLE

Connect 2 metre long flexible hose to mixed water outlet on Quartz Processor unit, either:

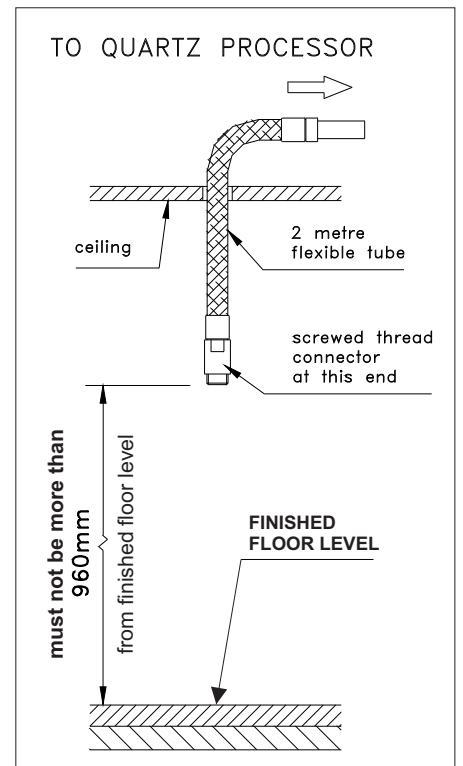
- A - Directly, if unit is within reach
- B - Via 15mm copper pipe, if unit is not within reach

IMPORTANT: please take note of dimensions for exposed hose, if not adhered to, connection with the Water Outlet Body, at a later stage, will not be possible.



UNDER-FLOOR WATER SUPPLY

IMPORTANT
Ensure flexible hose is not kinked during installation process



OVERHEAD WATER SUPPLY

7 FIT FRONT GLASS PANEL
Follow stages 22 & 23 of main installation instructions.

8 FIT SIDE GLASS PANEL(s), if applicable
Repeat above stages to fit side glass panel(s), ensuring that cushion seal in wallpost is to outside.

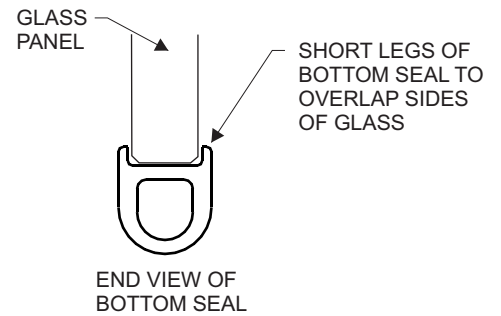
9 FIT TOP RAIL(s) & COVER CAPS
Follow stages 25 - 28 of main installation instructions.

DOUBLE ENTRY PANEL - this panel is supported solely by the top rails. It is essential that the rail wall brackets are securely fixed to the wall and the rails are fully engaged into these brackets with the grub screws securely tightened.

10 FIT BOTTOM SEAL (OPTIONAL)
Trim to length and fit seal to bottom of glass panel, between wallpost and bottom finial assembly.

To prevent ingress into the hollow section of seal, once fitted, apply clear silicone sealant to both ends, inside and outside. For a full watertight seal (the bottom seal will not penetrate down into tile joints) apply silicone sealant between bottom seal and floor on outside only.

TIP Lubricate full length of bottom seal with clean water to ease fitting.



11 FIT SHOWER TOWER SYSTEM, if applicable
Follow stage 30 of main installation instructions.



FRONT PANEL SIDE ENTRY + SIDE PANEL WITH SHOWER TOWER



FRONT PANEL DOUBLE ENTRY WITH SHOWER TOWER