

Please read these instructions before installing, as incorrect fitting will invalidate the guarantee—carry out each stage before moving onto the next.

These instructions are to be read in conjunction with the Curved Slider door instructions.

If you are unsure about these instructions please contact Kudos Shower Products:

Customer Service Helpline: 01539 564040

IMPORTANT

The installation instructions, CURVED SLIDER-SIDE ACCESS, which accompany these instructions, illustrates fitting of that enclosure only, ie. without the offset panel. The instructions are still relevant to this enclosure, OFFSET CURVED SLIDER, in that, the offset panel is fitted to one side of the unit, the assembled unit + panel is then fixed to both walls.

KEY STAGES TO INSTALLATION

- 1 Hand panel (if necessary) to suit your installation
- 2 Fix panel to unit (Curved Slider)
- 3 Position and mark assembled unit onto tray
- 4 Fix wall channel to wall
- 5 Fix panel to wall channel
- 6 Fit stiffener plate and all cover caps
- 7 Silicone seal unit to tray and walls

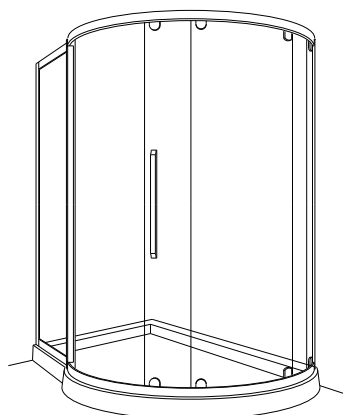
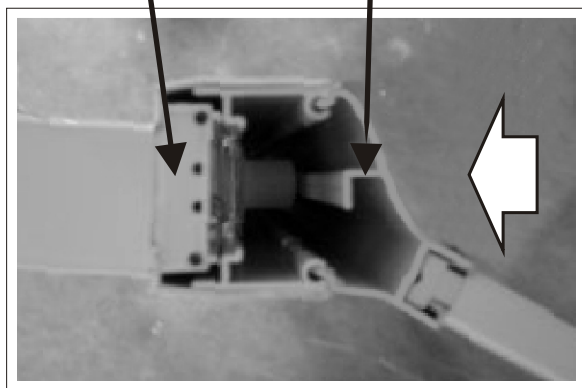
1 CONTENTS, carefully remove unit, fixing packs and installation instructions from packaging.

2 HANDING, this panel can be fitted to either side of the unit. Simply turn panel upside down, as necessary, to suit your installation.

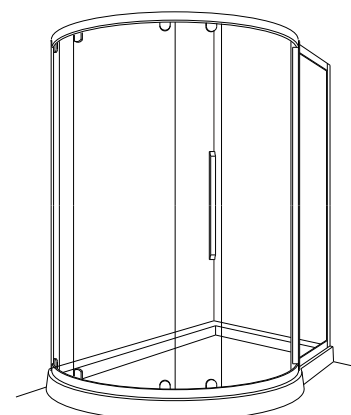
3 COMPLETE, stages 1-11 of door instructions. Refit connector post to wall side of unit.
*NB- There is only **one** connector post required for this enclosure.*

4 CONNECT PANEL TO UNIT, clip cornerpost of panel into wallpost of unit. The two 'short legs' of cornerpost fit into the grooves of the compensating channel in wallpost.
Ensure this is fully engaged along its entire length.

UNIT WALLPOST PANEL CORNERPOST



LEFT HAND
Panel fitted to left hand side



RIGHT HAND
Panel fitted to right hand side

5 FIX PANEL TO UNIT, using three-No. 8's x 30mm long panhead screws provided, through wall post mouldings into pre-drilled holes in panel cornerpost.
Do not overtighten these screws.

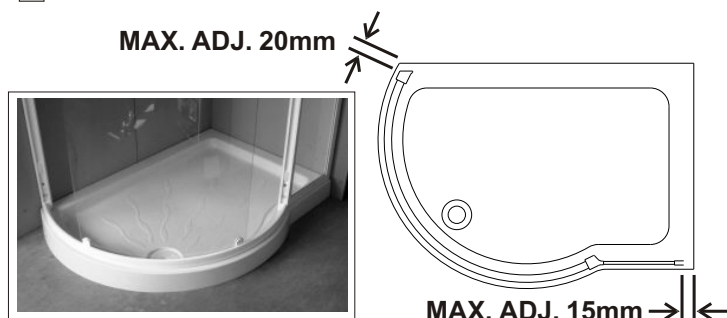
TIP Ensure top of panel cornerpost is lined up with top of wallpost.



SCREW-FIX THRU' HERE TOP, MIDDLE & BOTTOM

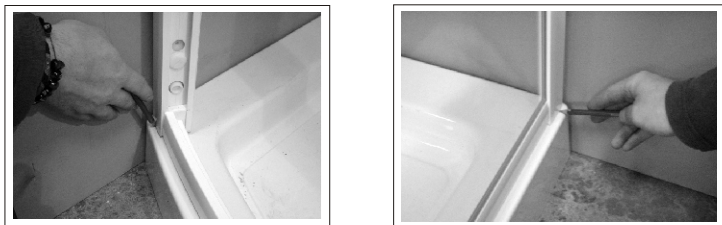
- 6 OFFER UNIT ONTO TRAY**, carefully lift assembled unit onto tray to determine the position. Ensure the adjustment in unit and panel will allow for this position
NB- for aesthetic reasons we do not recommend using adjustment at wallpost/panel junction.

TIP Hold fixed panel glass at each side to lift entire unit.



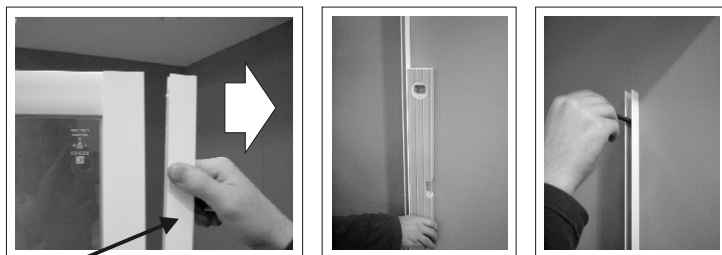
- 7 SET FRAME LEVEL**, if necessary, (refer to door instructions-stage 13).

- 8 MARK POSITION**, of unit onto tray and walls using pencil.



After marking, **carefully** remove unit from tray.

- 9 REMOVE WALL CHANNEL**, from panel and re-position on mark made on tray. Using spirit level to ensure channel is vertical, mark through 3 pre-drilled holes in channel.



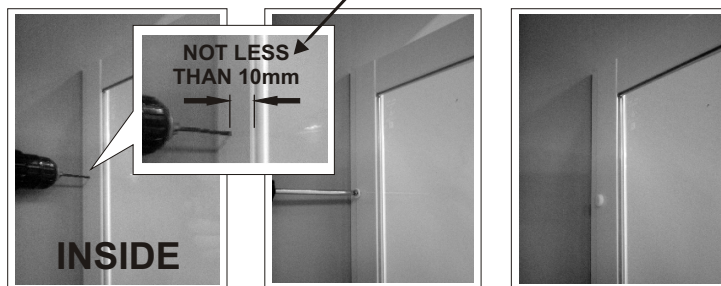
WALL CHANNEL IS LOCATED **INSIDE** THE FRAME VERTICAL CHANNEL

- 10 DRILL HOLES** in wall using 7mm masonry drill and fit wall plugs supplied, or fixings suitable for the construction of your wall. **FIX WALL CHANNEL** to wall using three-No.8's x 30mm long panhead screws provided. Refer to door instructions.

- 11 REFIT OFFSET PANEL** over wall channel. Using spirit level, ensure enclosure is vertical in **all directions**, use adjustment at walls on panel and unit to achieve this.

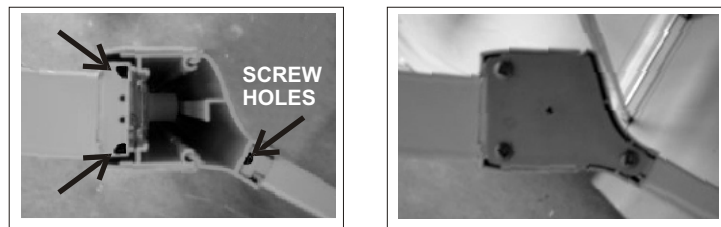


- 12 SECURE SIDE PANEL** to wall channel. Using 3mm drill, drill holes through panel frame and into wall channel. Fix using two-No.6's x 12mm long panhead screws, screw cover washers and cover caps provided. NB- TAKE CARE NOT TO DRILL THROUGH GLASS.



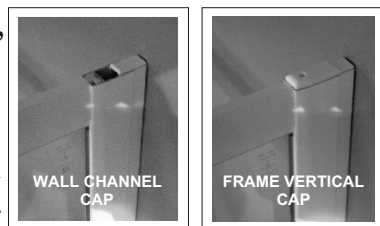
TIP Ensure drilled holes 'capture' wall channel underneath.

- 13 FIT STIFFENER PLATE**, position plate over junction of wallpost and panel at top and fix using three No. 6's x 12mm screws provided.



REFER TO DOOR INSTRUCTIONS

- 14 FIT COVER CAPS**, using the relevant right or left handed caps. Secure these with No. 4's x 10mm csk. screws provided.



- 15 SILICONE SEAL PANEL**, to wall and tray.



Silicone seal wall channel to wall on inside and outside



Silicone seal frame to tray and joints, as shown, on **OUTSIDE ONLY**

IMPORTANT

Do not silicone seal on the inside of unit (except where shown). Sealing the panel to the tray on the inside can result in leakage problems-please note that, in use, water can penetrate into the frame extrusions-*this has no detrimental effect to the product*-however, this water must be allowed to drain out of the extrusions to the inside.

Allow 24 hours for the silicone to cure before using