

KUDOS

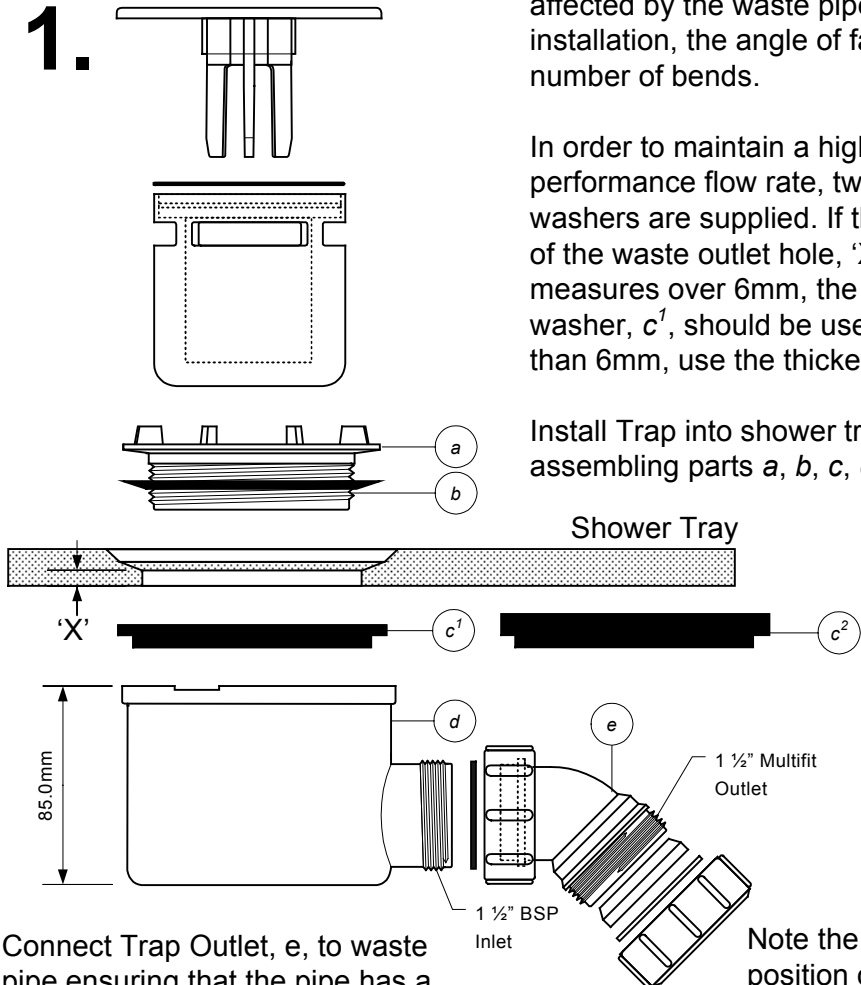
REFRESHING INNOVATION IN SHOWERS

HIGH PERFORMANCE SHOWER WASTE AND TRAP

McALPINE
Plumbing Products

CODE: DWA90S-1

1.



The trap provides a flow rate of up to 42 litres per minute when tested in accordance with EN274-2:2002. The performance of the Trap can be affected by the waste pipe installation, the angle of fall and the number of bends.

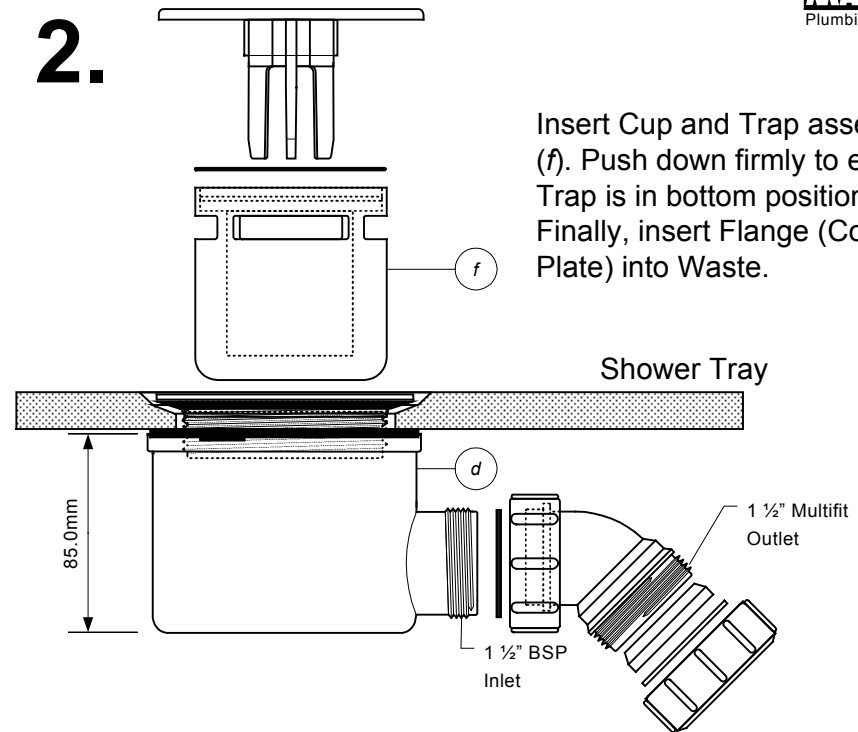
In order to maintain a high performance flow rate, two sealing washers are supplied. If the thickness of the waste outlet hole, 'X', measures over 6mm, the thinner washer, c^1 , should be used. If less than 6mm, use the thicker washer, c^2 .

Install Trap into shower tray by assembling parts *a*, *b*, *c*, *d* & *e*.

Connect Trap Outlet, *e*, to waste pipe ensuring that the pipe has a fall and is adequately supported. Test the installation for leaks and performance.

Note the order and position of the Sealing Washers. Failure to do so can result in water leakage.

2.



Insert Cup and Trap assembly (*f*). Push down firmly to ensure Trap is in bottom position. Finally, insert Flange (Cover Plate) into Waste.

If a silicone sealant is used, it should be a neutral sealant and must not contain Acetoxic Acid.

AFTER CARE

Regular Maintenance is essential to retain a high performance flow rate. Remove the Cover Plate, Cup and Trap Assembly, *e*, and thoroughly clean all the parts. Flush through the Trap Body with clean water and carefully replace the parts.

Kudos Shower Products Limited, Elmsfield Park, Holme, Cumbria, LA6 1RJ
[t] 01539 564040 [f] 01539 564141 [e] info@kudosshowers.co.uk

© McALPINE
24/11/2008