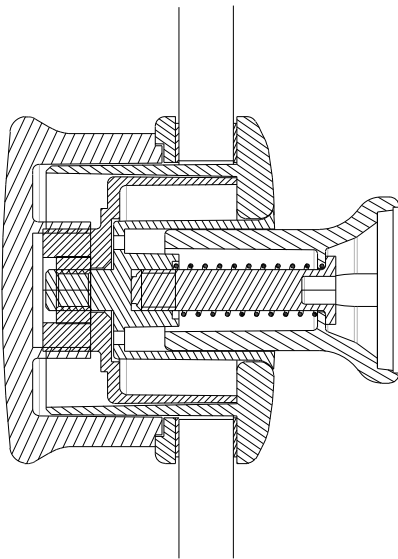
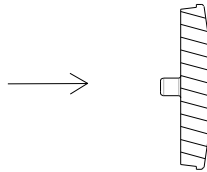


# TO CHANGE HANDLE FROM 'KNOB' STYLE TO 'HOLE' STYLE

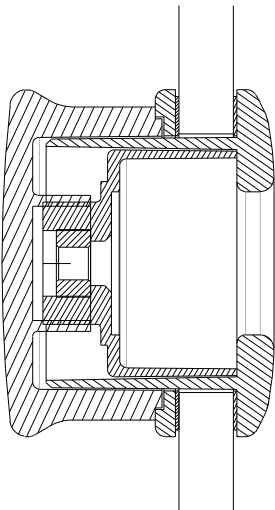
1



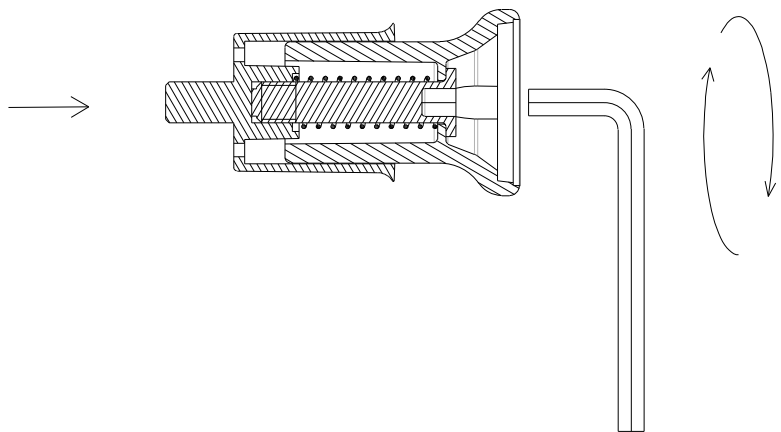
REMOVE OUTER CAP WITH KNIFE/BLADE -  
BETWEEN CAP AND CHROME BASE



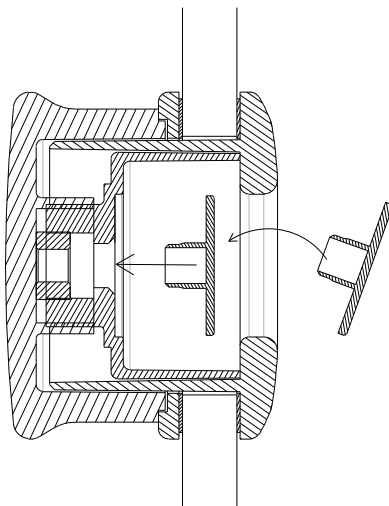
2



USING 4mm ALLEN KEY TURN GREY PART  
OUT - ANTICLOCKWISE



3



PUSH FIT SUPPLIED BLACK COVER CAP