

# INFINITE RANGE - HINGE DOOR



## HINGE DOOR + 1 SIDE RETURN PANEL (CORNER)

Please read these instructions before installing, as incorrect fitting will invalidate the guarantee-carry out each stage before moving onto the next. **Do not dispose of packaging**, no claims for missing or damaged parts will be accepted if packaging has been disposed of. There are three sets of instructions enclosed in this pack. Select the set to suit your configuration.

1. Hinge Door Only (Recess)
2. Hinge Door + 1 Side Panel (Corner)
3. Hinge Door +2 Side Panels (Peninsula)

If you are unsure about these instructions please contact Kudos Shower Products: **01539 564040**

### IMPORTANT SAFETY NOTICE

The glass supplied with this enclosure is toughened safety glass in accordance with British Safety Standards. Care should be exercised when handling the glass to avoid knocking or bumping the glass, particularly the edges and corners of the glass as this could cause the glass to shatter into small fragments. It is essential to protect the glass by resting it on a soft protective surface during installation such as cardboard or carpeting.

### KEY STAGES TO INSTALLATION

- 1 Check if you need left or right door configuration
- 2 Install wall frames vertical and plumb.
- 3 Fit large glass side panel and two front panels
- 4 Fit Head and Bottom rails
- 5 Adjust, plumb, level then tighten clamps
- 6 Fit door glass onto hinges
- 7 Fit the handle
- 8 Fit the door seals
- 9 Fit wall profile covers
- 10 Fit seals between glass and wall profiles
- 11 Remove protective film from wall profile covers
- 12 Silicone seal the unit

### TOOLS REQUIRED

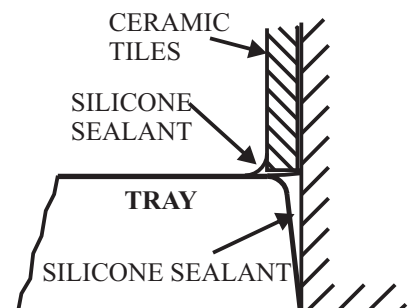
- Flat-headed screwdriver - medium
- Pozi-drive screwdriver - medium
- Spirit level
- Tape measure
- Silicone sealant - clear
- Electric drill
- 7mm masonry drill
- 2.5mm; 3mm; 4mm allen keys (supplied)
- Pencil
- Screw wizard tool (supplied)

Use this useful screw wizard tool to insert screws through wall profiles into wall and start first one or two turns then use your conventional screw driver.



### IMPORTANT

- Check appearance of shower enclosure. Any defects must be reported to Kudos Shower Products before assembly / installation.
- Claims for imperfections will only be accepted prior to assembly / installation
- Ensure shower tray is level in all directions
- Prior to installation, any gap or crevice between the rim of the tray and wall must be filled with silicone sealant flush with the rim of the tray - see detail opp.
- Waterproof walls using ceramic tiles/shower panels etc., before installation.
- Fully seal between the tiles and the tray **BEFORE installing the enclosure**
- Check the enclosure adjustment sizes are suitable for your installation
- Use care when drilling into walls to avoid hidden pipes or electrical cables



### CLEANING

**GENERAL** - for frame work and fixings use only warm soapy water and damp cloth/ sponge on a regular basis. After cleaning please rinse with clean water to remove any residue  
Do not use abrasive scouring powders, chemicals or aerosol cleaners - these may result in damage to the surfaces, in particular, the plated component parts. **See instruction below for glass cleaning advice.**

### LIFESHIELD

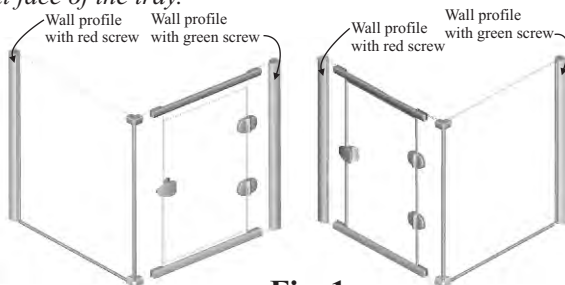
Your Kudos Product is pre-treated with Life Shield on the inside surfaces only. While this makes cleaning the glass a lot easier and helps prevent the build up of harmful lime-scale and soap deposits the glass still needs to be maintained on a regular basis. We recommend the use of a detergent and aroma free glass cleaner (A 50/50 mix of White Vinegar and Water works well!!) Strong detergents and abrasives can damage the coating.  
**DO NOT** use abrasive cleaners or abrasive scrubbing equipment for cleaning!!  
**DO** use a squeegee to remove remaining droplets of water from glass after showering, any build up of residue can be removed easily using an appropriate cleaner and agitation from soft cleaning equipment

**THESE INSTRUCTIONS TO BE LEFT WITH THE CUSTOMER**

**1 CONTENTS**, carefully check contents. It is advisable to keep contents in protective packing until required. See back page of these instructions for itemised drawing of package contents.

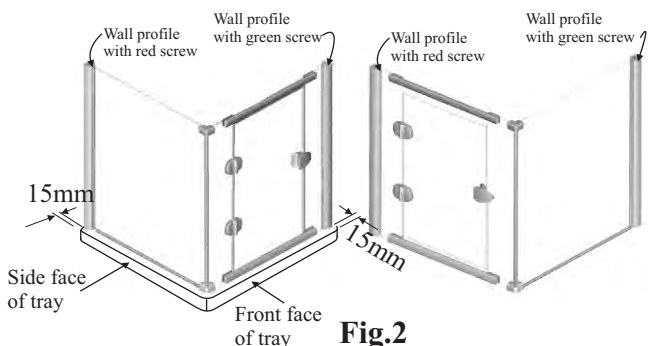
**2** Before starting the installation, check you have selected the correct door for the configuration you require. Doors are available in both left and right options. The side panel is common and fits both a left and right hand hinged door on either side.

**IMPORTANT:** When installing any of these configurations it is essential that you position both wall profiles 15mm from the flat face of the tray.



**Fig. 1**

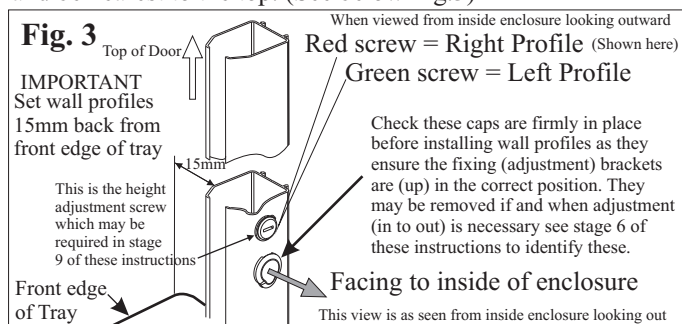
For these configurations you require one right hand hinged door and one side panel



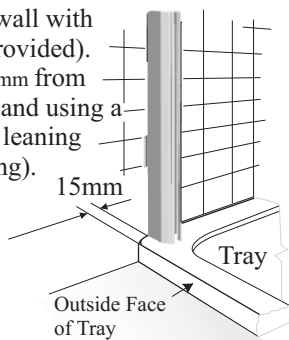
**Fig. 2**

For these configurations you require one left hand hinged door and one side panel

**3 FITTING THE WALL FRAMES**, When looking outward from inside of the enclosure, the left wall frame is identified by the green screw which should face the inside of the enclosure and be nearest to the top. Similarly the right wall frame is the one with the red screw which should face the inside of the enclosure and be nearest to the top. (See below Fig.3)

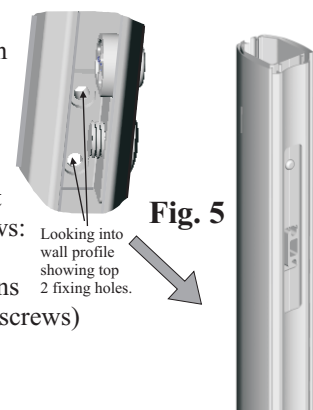


Each wall profile is screwed to the wall with 4 No8x30 screws and wall plugs (provided). Position one wall profile on tray 15mm from front face of tray (see Figs 2 and 4) and using a spirit level ensure it is vertical (not leaning backwards or forwards in the opening). Mark the position of the 4 holes on the wall through the wall profile. Remove wall profile and drill holes in wall using 7mm masonry drill bit.



**Fig. 4**

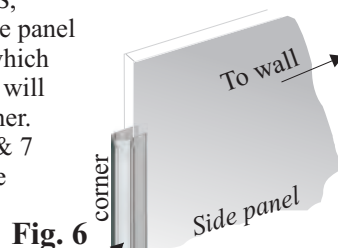
Insert wall plugs provided (or fixings to suit the construction of your walls) screw wall profile into position. Then repeat stage 2 for the other wall profile. Use spirit level to check the wall profiles are vertical. If not, adjust using the lateral adjustment screws: (see "Guide to Adjustments" in stage 6 further in these instructions to identify the lateral adjustment screws)



**Fig. 5**

**4 FITTING GLASS PANELS,**

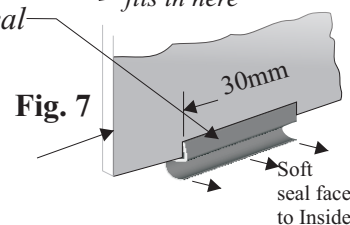
**4.1** On the large glass side panel there is a corner seal into which one of the door side panels will be inserted to form the corner. Using the detail in Figs. 6 & 7 determine the bottom of the large side panel and fit the bottom seal as shown.



**Fig. 6**

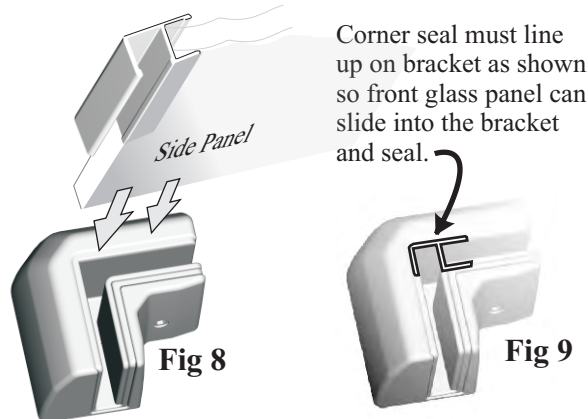
*This is the corner seal*  
*This is the bottom seal*

This is the seal for the bottom of the side panel. The soft edge must be to the inside of the enclosure and be set 30mm from the corner when fitting gasket.



**Fig. 7**

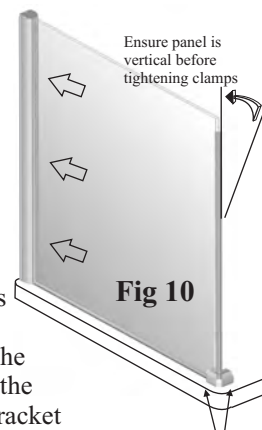
Fit the corner bracket by sliding it onto the outer bottom corner of the large side panel (Fig. 8) until the edge of the corner seal lines up with the bracket as Fig. 9. Tighten grub screw on the inside face with the 3mm allen key supplied.



**Fig 8**

**Fig 9**

**4.2** Insert large side panel into wall profile glass clamps (see Fig.10) with the soft seal onto the tray and the fitted corner bracket to the front. Move the panel in or out until the corner bracket is spaced equal distance from the front edge of the tray as it is from the side face of the tray. Ensure the panel is vertical then fully tighten the 3 glass clamps screws using 2.5mm allen key supplied see Fig 17. If after adjusting for vertical, the corner bracket is not seated firmly on the tray, loosen grub screws and tap the bracket down onto the tray (caution - do not exceed 5mm adjustment on this bracket) Pack between bracket and tray if you require more adjustment.

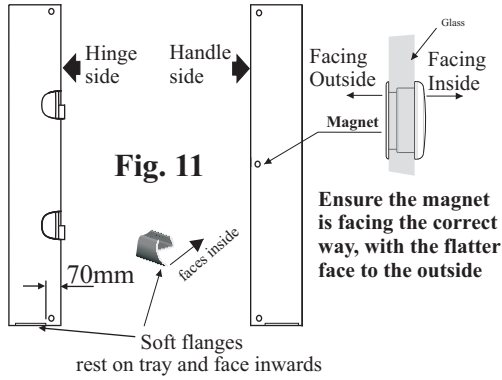


**Fig 10**

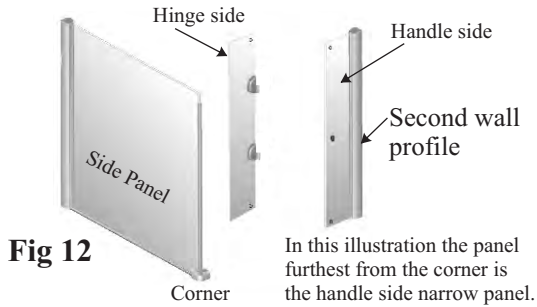
Distance from corner bracket to flat face of tray must be equal on both sides.

4.3 The gaskets already fitted to the narrow glass panels are to suit a door only application. Remove the gasket next to the corner and replace with the shorter gasket supplied. Fit this gasket 70mm from the edge of the panel that will be adjacent to the door. See Fig 11.

NOTE: Only replace the gasket on the panel that will be next to the corner at side panel junction.

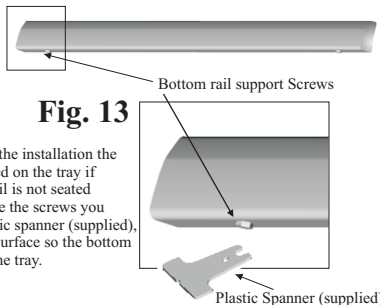


4.4 Determine whether your configuration has the hinges or the handle adjacent to the large side panel you have just fitted (see Fig.12) insert either the hinge or handle side narrow glass panel, that is to be furthest from the corner, into the second wall profile glass clamps then gently lower the panel until the soft seal is resting on the tray. Gently tighten the glass clamp screws, just taking up the slack, do not tighten at this stage.

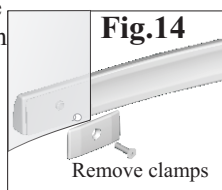


4.5 Before you insert the remaining narrow glass panel into the corner seal, wet the sides and edges of the glass that are to be inserted into the seal with a wet cloth, this will make it easier to insert. Slide the narrow panel into the top of corner gasket lining up the top edge with the top of the side panel and then push into the clear corner gasket over the full height, and into the bottom corner bracket. Fit the top corner bracket and tighten the allen key grub screw on the side panel only. Do not tighten the grub screw to the narrow glass panel you have just fitted yet.

**5 FITTING HEAD AND BOTTOM RAILS,** The bottom rail is the one with the nylon rail support screws fitted to the underside (see Fig.13)



Remove clamp plates from the ends of the bottom rail Fig.14 and fit rail to the fixed glass panels at the bottom, re-fit the clamps at each end with the screw passing through the glass hole from the inside Similarly fit the top rail in position.



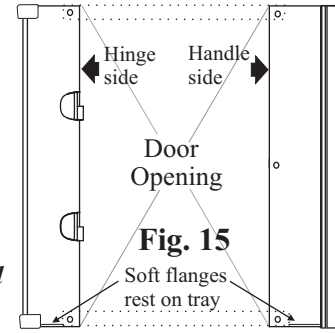
**IMPORTANT:**

To ensure the door opening is the correct width, line up the head and bottom rail clamps with the vertical and horizontal edges of both the fixed glass panels, moving the panels in the wall profiles if necessary. Ensure fixed glass panels are both vertical and the door opening is central then fully tighten all four rail clamps.

**IMPORTANT:**

Check that both fixed panels are still vertical and head and bottom rails are still parallel then tighten the 6 glass clamps.

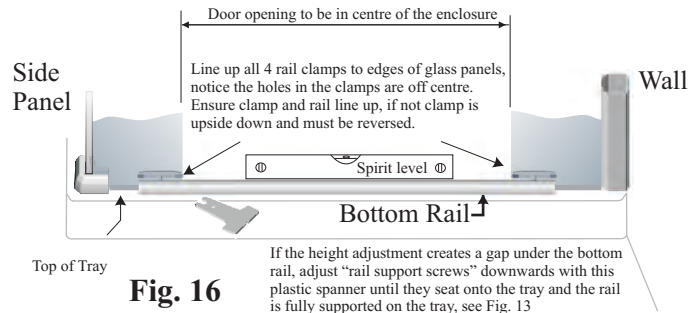
The design makes it impossible to break the glass by over tightening because the screw heads will tighten against the wall profiles first. So do ensure these are fully tight



**CAUTION:**

See Fig. 18 showing maximum glass can be adjusted out of wall profile.

Place a spirit level onto the bottom rail and check if this is level. If not, use the height adjustment screws to level the unit. See the "Guide to Adjustments" in stage 6



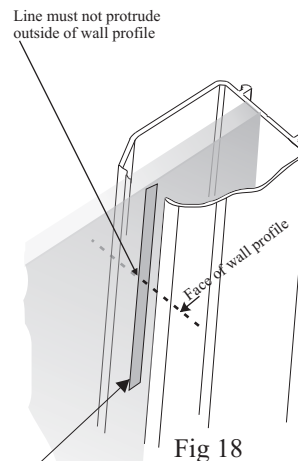
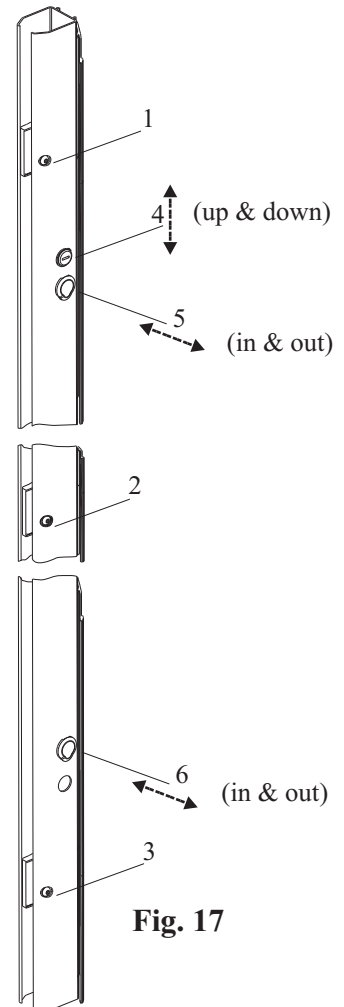
Before tightening the remaining grub screw in the bottom corner bracket ensure it is seated onto the tray, if not tap it down then tighten. Check all clamps and brackets have been fully tightened before proceeding to fitting the door in stage 7.

**6 Guide to adjustments** shown on inner face of wall profile

The unit is designed to enable 3 dimensional adjustment during installation without removing any part of the unit already installed. The diagram here illustrates the adjustments possible and their location.

**GUIDE**

1. Upper Glass Clamp
2. Middle Glass Clamp
3. Lower Glass Clamp
4. Height Adjuster (up & down)
5. Top Lateral Adjuster (in & out)
6. Lower Lateral Adjuster (in & out)

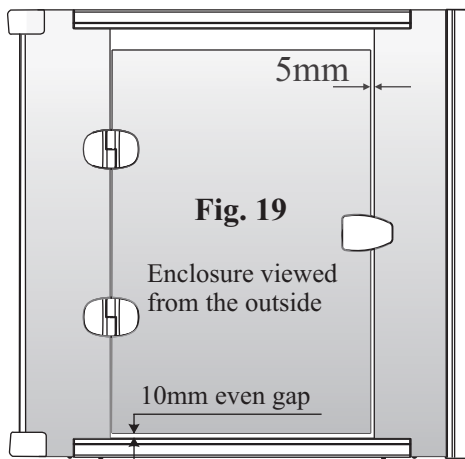


Line markings on glass at top and bottom must not protrude outside of wall profile after adjusting panels as this will result in clamps not gripping the glass fully

- 7 FITTING THE DOOR.** *Note: Due to the weight of the door, this stage requires two persons to lift the door into position.* Carefully lift the door from the protective packaging and lift it into position so that the hinge spindles are directly aligned to the hinge holes. Gently lower into position taking care to guide the spindles into the holes. **DO NOT BUMP GLASS WHEN FITTING - THE EDGES AND CORNERS ARE THE MOST VULNERABLE AND CHIPPING THESE COULD CAUSE THE SAFETY GLASS TO FRAGMENT.** If the opening was correctly set in stage 5, Fig. 16, the gap on the handle side and underside of the door will be: **5mm on the handle side of the door to the fixed panel** **10mm between door & bottom rail.**

**DO NOT LOOSEN SCREWS FIXING HINGES TO DOOR GLASS**

Should this not be the case please remove the door and repeat stage 5, otherwise proceed to stage 8.



Handle shown here but not yet fitted

- 8 FITTING THE HANDLE** Remove handle from packaging.

Separate the front from the back half by removing the two m6 Allen key screws using the 4mm Allen key (supplied). Assemble handle onto door and loosely screw together in place.

Move the handle until the small clear button on the inside face of the outer handle is central over the round magnetic catch in the fixed glass panel. Tighten fully the m6 Allen key screws. Remove the screw cover from the installation parts package and press onto the screw cavity in the handle.

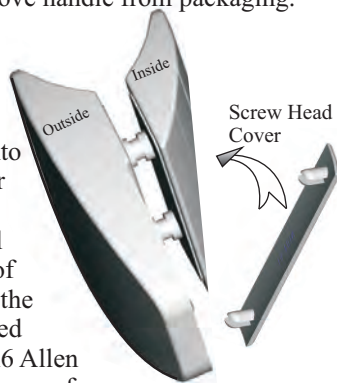


Fig. 20

- 9 FINAL ADJUSTMENT CHECK,** If the door and fixed panels are not aligned vertically (in to out), adjust the upper lateral adjustment screw in or out while watching to see which direction corrects the alignment. See Fig 21.

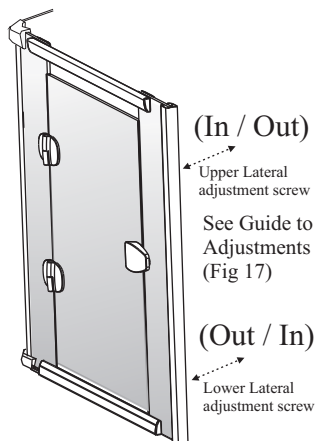


Fig. 21

- 10 FITTING THE DOOR SEALS.** Identify the hinge side door seal. Position this seal against panel on hinge side ensuring the top of the seal is in line with the top of the door. Press over glass ensuring it is fully seated over the entire length. Next fit the door closing side seal in similar manner. **To make it easier to fit, run a wet cloth down the edge of the glass to which the seal is to be fitted.**

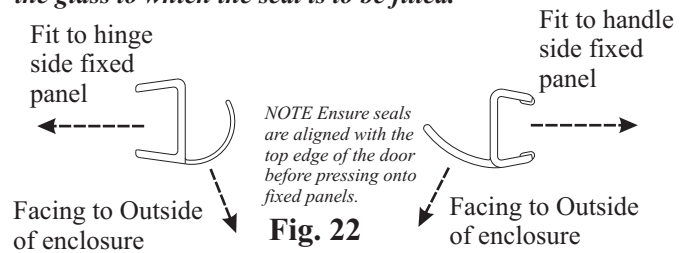


Fig. 22

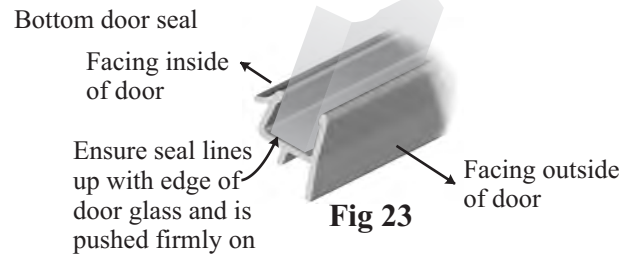


Fig 23

**CHECK THE FUNCTION OF THE DOOR BEFORE MOVING ON TO THE NEXT STAGE**

- 11 FITTING THE INSIDE WALL PROFILE COVERS** Care should be used when handling these covers, before they are fitted to the wall profiles. Engage the back edge of the wall profile cover over full height of the butterfly profile and then swivel the cover around to engage over the front of the wall profile and clip into position. **NOTE** ensure the narrow edge fully engages the butterfly profile over the **FULL HEIGHT** before swivelling the wider edge onto the front of the wall profile or the cover may not engage correctly.

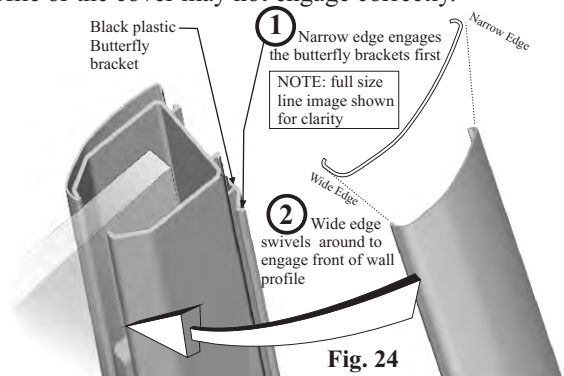


Fig. 24

- 12 FITTING THE GLASS PANEL SEALS.** **NEXT** Fit the glass seals at junction of glass and wall profiles. Remove the plastic protective film from the wall profile covers at this time by peeling it away.

Fit glass edge seals to both inner and outer faces of the fixed panels that junction with the wall profiles.

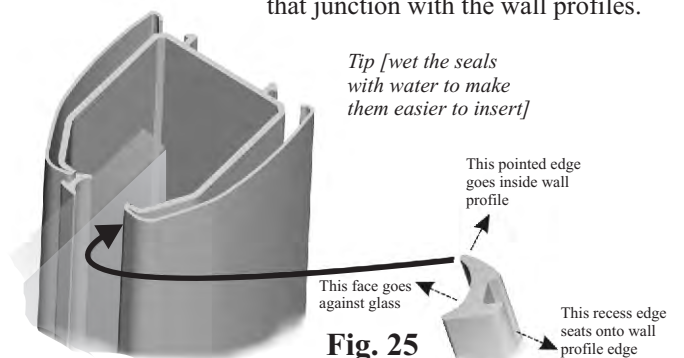
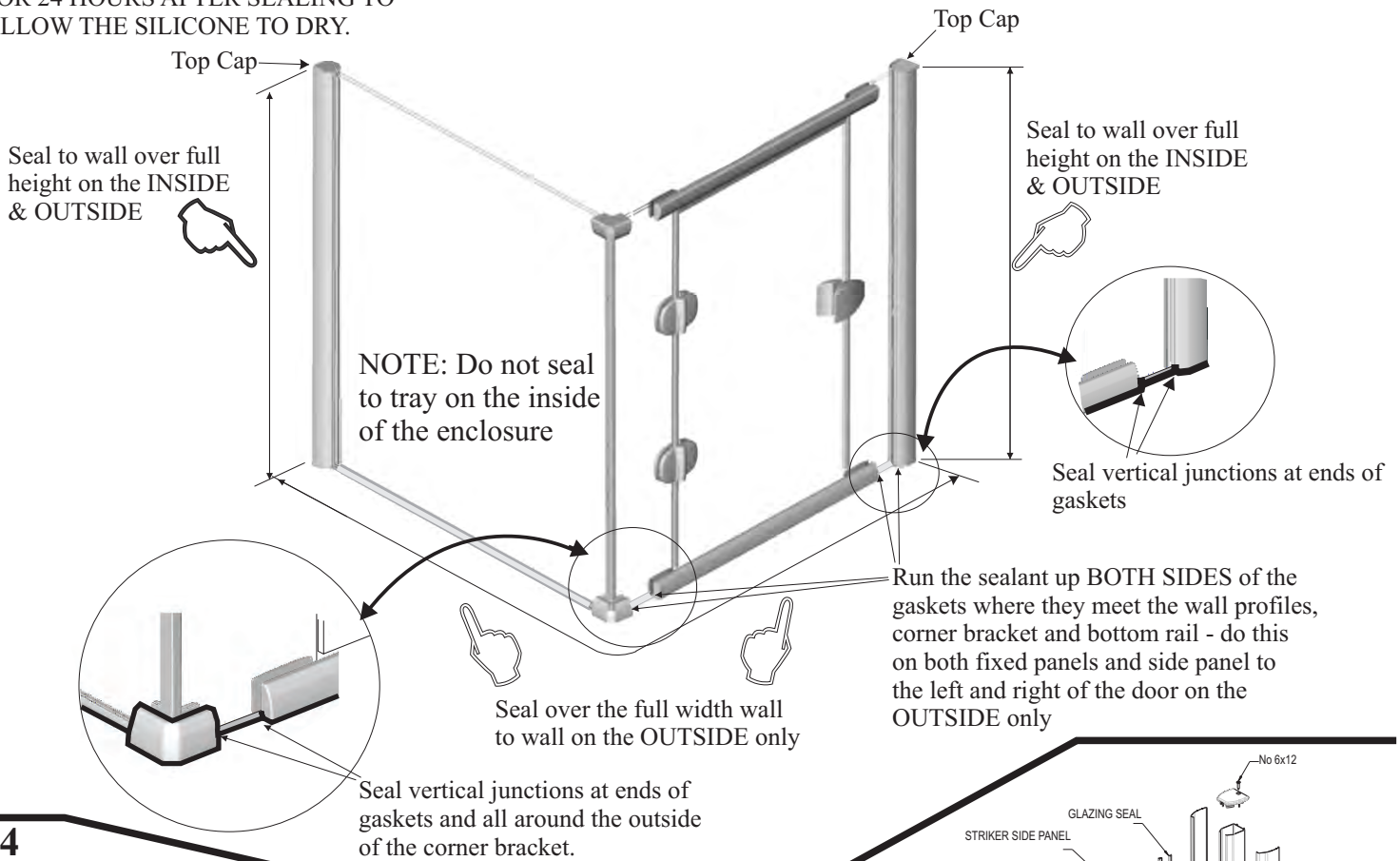


Fig. 25

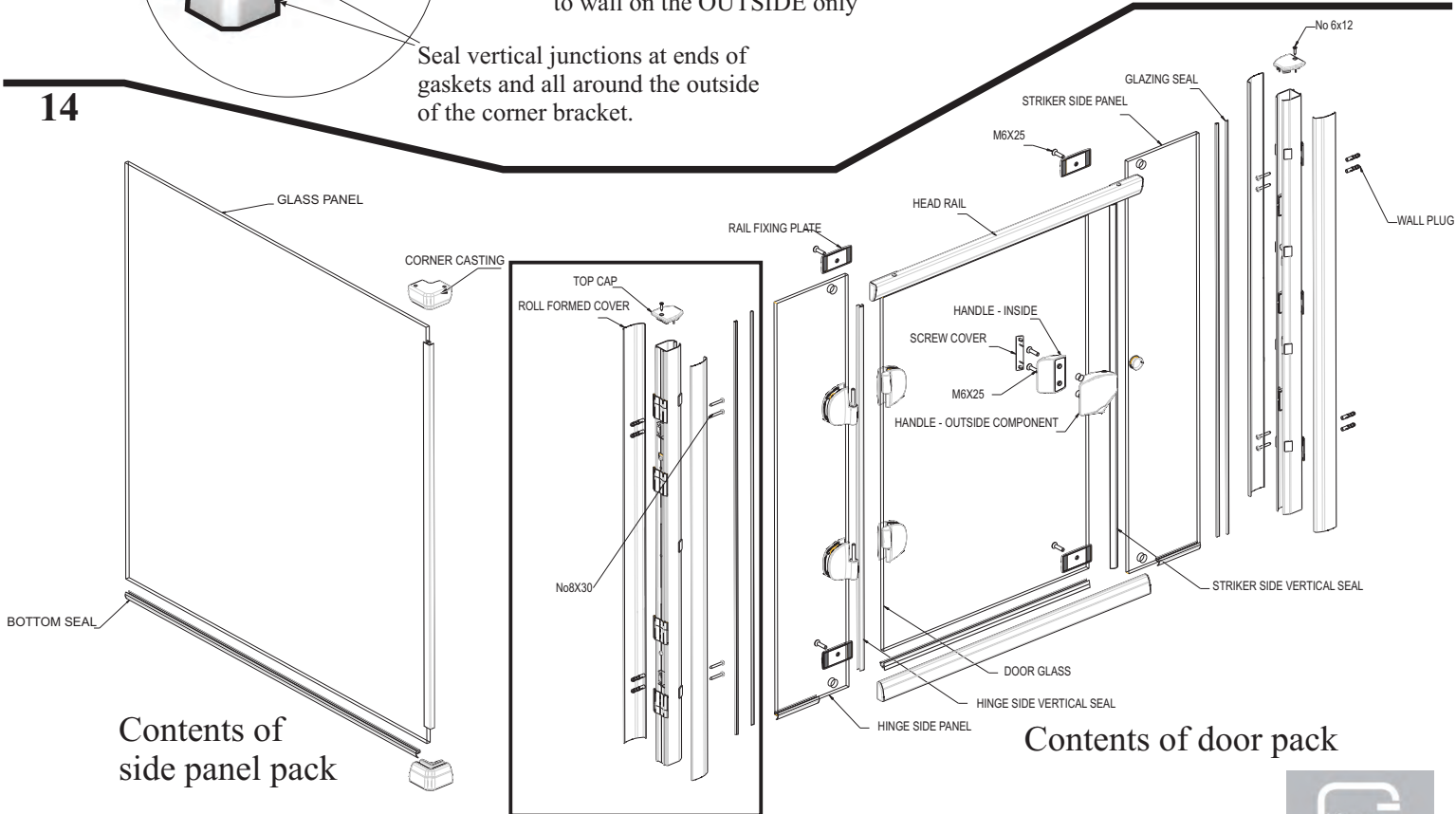
**13** FIT THE TWO TOP CAPS to the wall profiles using the No.6 x 12 screws supplied.

**FINALLY SEAL THE ENCLOSURE**, Using a clear silicone sealant apply a thin bead to all the edges as shown. To achieve a neat finish it is recommended that each joint to be sealed is masked either side with masking tape so that only a maximum of 3mm either side of the joint is exposed. The masking tape should then be removed immediately after sealing (DO NOT allow silicone to dry over masking tape).

DO NOT USE OR DISTURB THE ENCLOSURE FOR 24 HOURS AFTER SEALING TO ALLOW THE SILICONE TO DRY.



**14**



The items shown in this frame are used in conjunction with the side panel for fixing to the wall, when a left side panel (viewed from outside) is required. For a right side panel application use the right wall profile components

