

KUDOS

REFRESHING INNOVATION IN SHOWERS

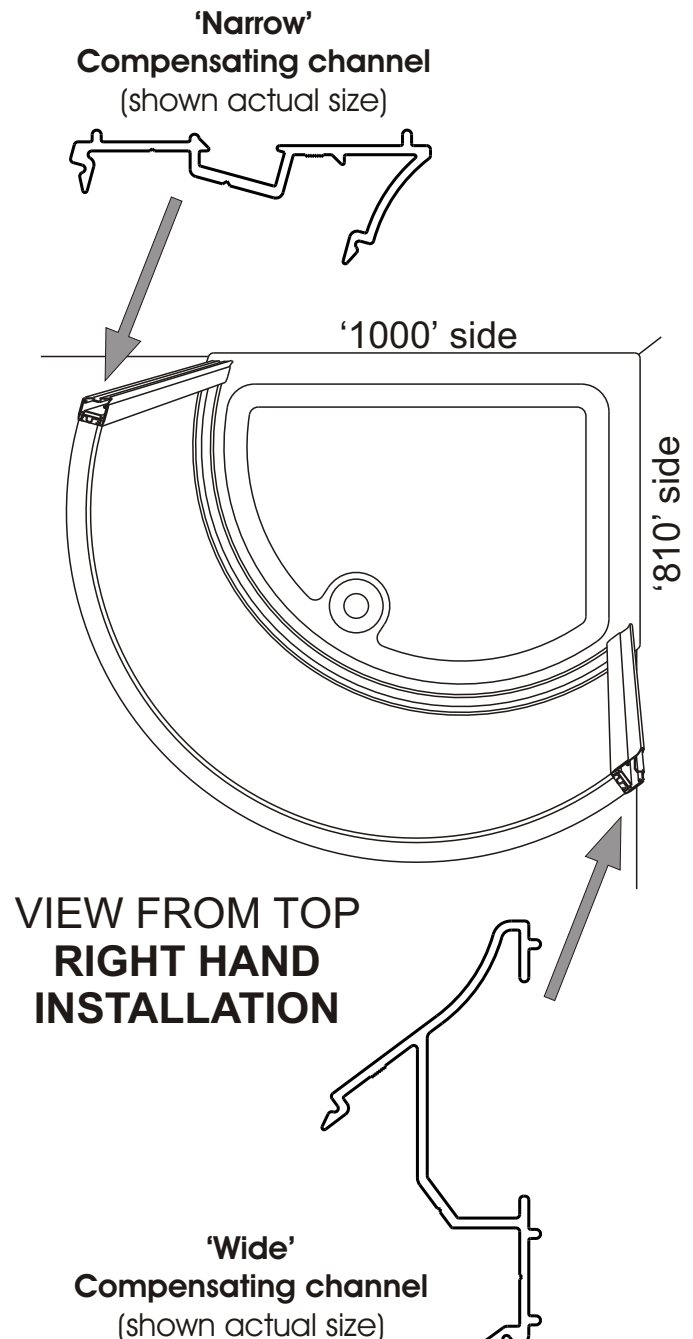
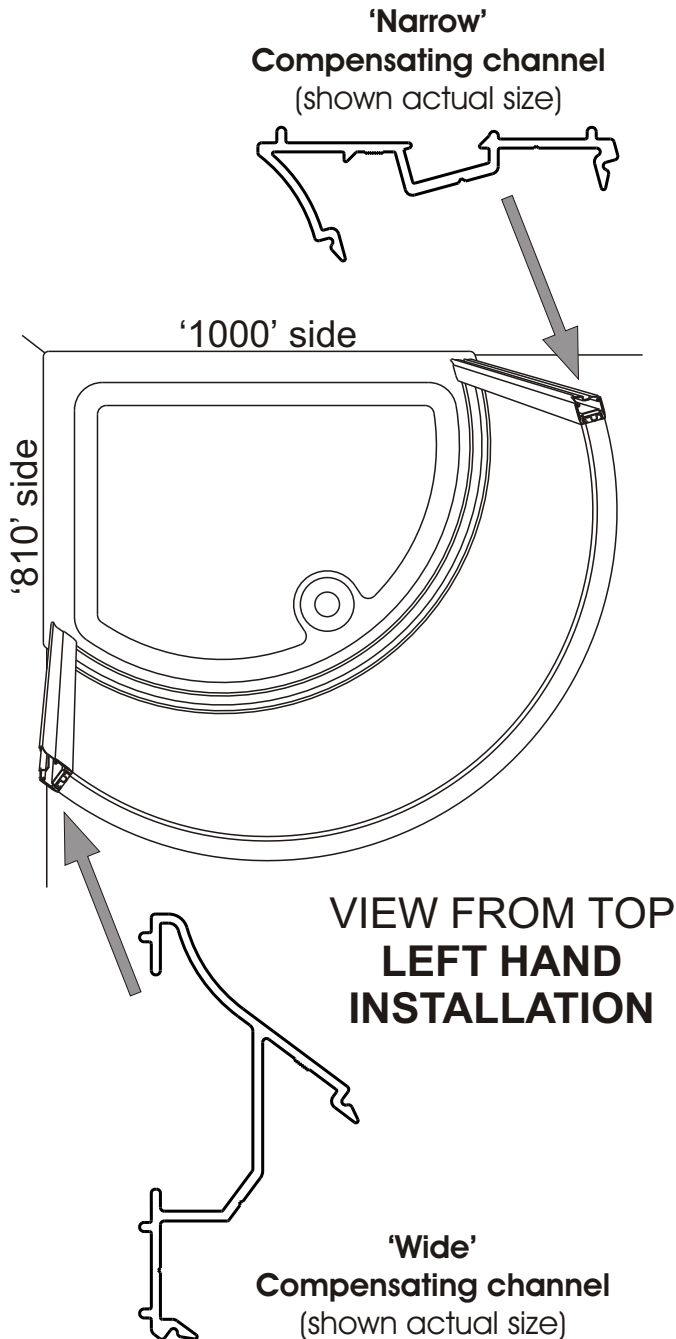
SUPPLEMENTARY INSTRUCTIONS

1000 x 810mm

OFFSET ENCLOSURE

Please read these supplementary instructions in conjunction with the main Installation Instructions

NB- the method of installation for this product is the same as those described in the main installation instructions, refer to diagrams below to ensure that the correct channel is fitted to the correct side



Fit left or right hand cover cap,
as appropriate, to the top of
'Wide' compensating channel
on completion

