

Please read these instructions throughout before installing as incorrect fitting will invalidate the guarantee. These instructions to be used in conjunction with the main installation instructions when installing the Deflector Panel with the enclosure from new. The Deflector panel can also be fitted to an existing Ultimate enclosure.

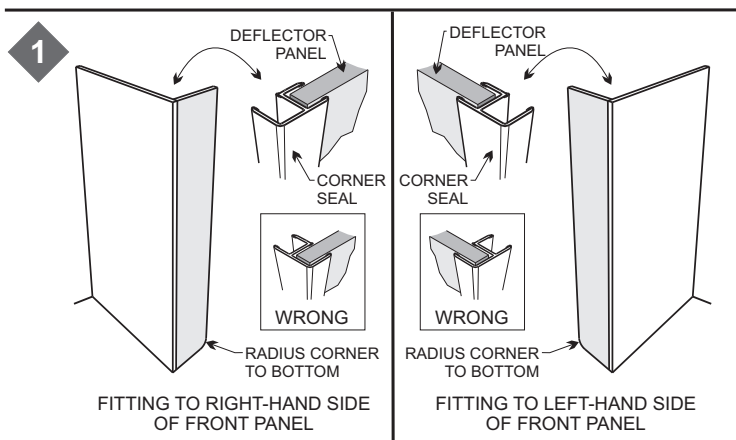
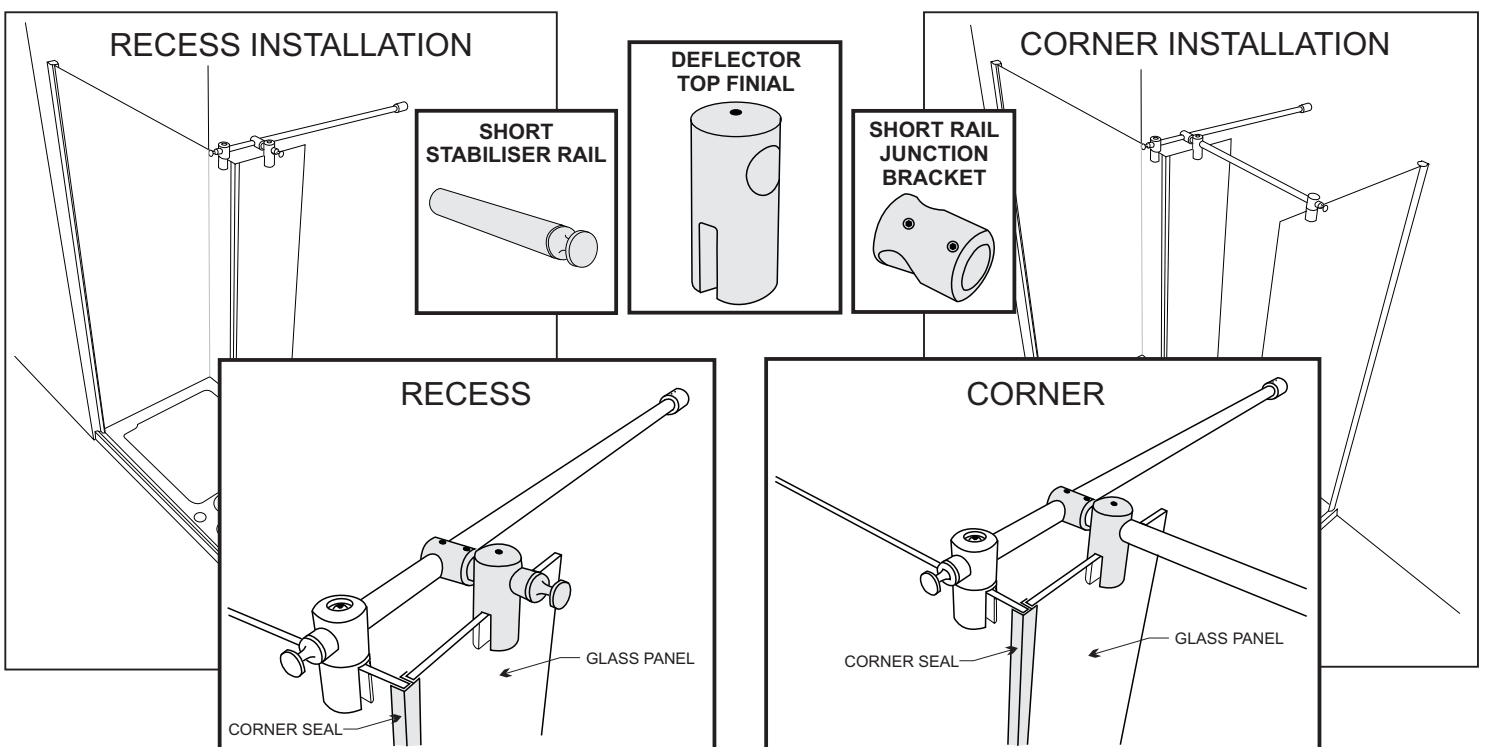
Got a query? Then please contact: **Kudos Shower Products 01539 564040**

IMPORTANT

Check appearance of this product. Any defects must be reported to Kudos Shower Products before assembly/installation. Claims for imperfections will only be accepted prior to installation.

PACK CONTENTS

- GLASS PANEL
- CORNER SEAL
- DEFLECTOR TOP FINIAL
- SHORT RAIL JUNCTION BRACKET
- SHORT STABILISER RAIL - *for use in recess installation only*
- 2.5 / 3 / 4mm ALLEN KEYS



FIT CORNER SEAL

Push fit vertical corner seal to the plain edge of the Deflector panel glass ensuring that the radius corner is to the bottom and facing to inside of the enclosure. Ensure the seal is pushed fully home onto edge of the glass.

TIP Wipe edge of glass with clean, slightly damp cloth to ease fitment of seal.

2 FIT TO FRONT PANEL
Attach Deflector Panel to front panel using the remaining slot in the corner seal, ensuring the top of the panel is level with the top of front panel glass. The corner seal must be pushed fully home onto the edge of front panel glass.

TIP Use packing eg. cardboard, to support the bottom of the panel until the top support parts have been fitted.

3 FIT TOP SUPPORT PARTS
Fit the Deflector parts as shown above, ensuring all grub screws are fully tightened:
Short Rail Junction Bracket - ensure grub screws face towards ceiling. This part replaces the standard Rail Junction Bracket in corner installation.
Deflector Top Finial - ensure side grub screw faces towards inside of enclosure.
Short Stabiliser Rail - may be cut as necessary, using hacksaw, ensuring that this is fully engaged into the Short Rail Junction Bracket when fitted. This part is not required for corner installations.